

Owner's Manual & Assembly Guide

Model No. W50' x L 40' x H17' Strong Container Shelter

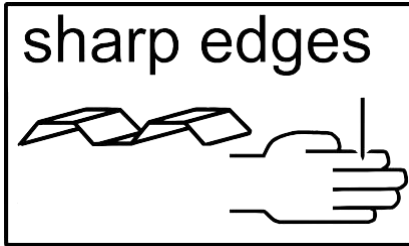


* See Inside for Detailed Safety Information.

*Gloves must be worn
at all times to reduce risk of injury!*

SAFETY & MAINTENANCE

Safety precautions MUST be followed at all times throughout the construction of your building!



Care must be taken when handling various pieces of your building since many contain sharp edges. Please wear work gloves, eye protection and long sleeves when assembling or performing any maintenance on your building.

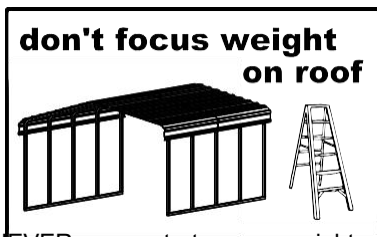


Practice caution with the tools being used in the assembly of this building. Be especially familiar with the operation of all power tools.



Do NOT attempt to assemble your building on a windy day. The large panels can catch the wind like a "sail", causing them to be whipped around making construction difficult and unsafe.

Do NOT attempt to assemble your building before double checking that you have all the parts indicated on the parts list as well as all hardware. Any building left partially assembled may be seriously damaged by even light winds.



NEVER concentrate your weight on the roof of the building. When using a step ladder make sure that it is fully open and on even ground before climbing on it.



Keep children and pets away from the worksite during construction and until the building is completely assembled. This will help avoid distractions and any accidents which may occur.

IMPORTANT NOTE ON ANCHORING

- Your building MUST be anchored to prevent wind damage. See anchoring page for more info.
- You must also have a temporary anchoring system in place in case you need to take a break from assembly.

Exterior Care:

For a long lasting finish, clean and wax the exterior surface. We recommend washing with a mild soap solution. DO NOT use power washing to clean your shed. Using a spray automotive type wax periodically on the exterior is highly recommended if you are in a high humidity or coastal climate region.

Combustibles and corrosives must be stored in air tight containers designed for chemical and/or combustible storage. Corrosive chemicals such as fertilizers, pesticides and herbicides should be cleaned off the interior and exterior surfaces immediately. Rust caused by chemical damage is not covered by the warranty.

Rust protection precautions may help to stop rust from developing, or stop it quickly as soon as it appears.

- Avoid nicking or scraping the coating surface, inside and out.
- Keep roof and base perimeter free of debris and leaves which may accumulate and retain moisture. These can do double damage since they give off acid as they decay.
- Touch up scrapes or nicks and any area of visible rust as soon as possible. Make sure the surface is free of moisture, oils, dirt or grime and then apply an even film of high quality touch-up paint.
- Various paint manufacturers provide products for rust treatment and coverage. If surface rust does appear on your shed we recommend treating those areas as soon as possible, following the paint supplier of your choice instructions.
- Our customer service department can provide the paint tinting formula for matching the color of your shed.
- **Roof:** Keep the roof clear of leaves and snow. Heavy amounts of snow on the roof can damage the building making it unsafe to enter.

Fasteners: Regularly check fasteners and retighten as necessary.

General: Wash off inked part numbers on coated panels with soap and water.

Please note, Manufacturer cannot be held responsible for any consequences due to buildings that are not installed per these instructions, or for damage due to weather conditions or acts of God.

Keep these assembly instructions and owner's manual for future reference.

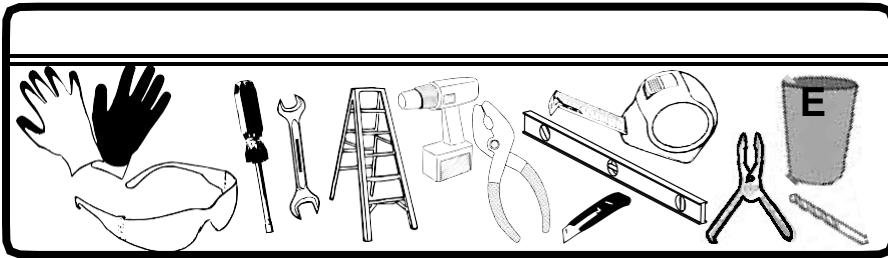
ASSEMBLY TIPS & TOOLS

Watch the Weather Closely: Be sure the day you choose to install your building is dry and calm. Do **NOT** attempt to assemble your building on a windy day. Be careful on wet or muddy ground.

Use Teamwork: Two or more people are required to assemble your building. One person can hold the parts or panels in place while the other person fastens them together and handles the tools. This makes the process of assembling your building faster and safer.

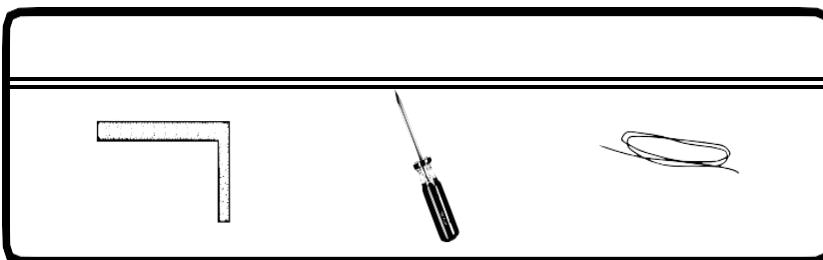
Tools and Materials: Here is a list of some basic tools and materials you will need to assemble your building. Decide which method of anchoring and the type of base you will use to make a complete list of the materials you will need.

WHAT YOU NEED



- Work Gloves
- Safety Glasses
- Nut Driver or Wrench
- Step Ladder 8'
- Power Drill (Cordless, Variable Speed)
- Pliers
- Utility Knife or Scissors
- Carpenter's Level
- Tape Measure
- Clamp
- Grout (Asphalt Base)
- 7/8" x 13" Masonry Bit (Asphalt Base)
- 1/2" x 8" Masonry Bit (Concrete Base)

RECOMMENDED TIME SAVERS








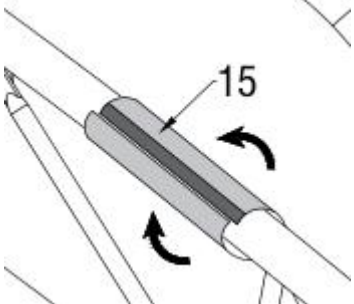
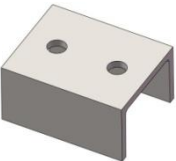
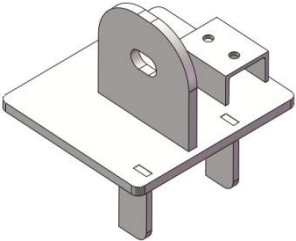
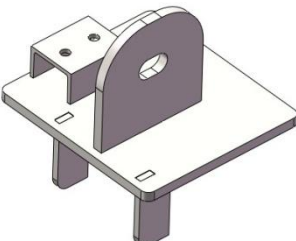
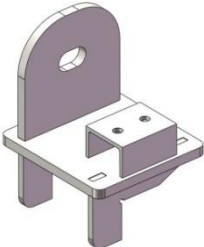
- Square
- String (for squaring the frame)
- Awl (to align holes)

How to Select and Prepare Your Building Site: Before you start to assemble your building, you will want to decide on a good location. The best location is a level area with good drainage.

- Allow enough working space so it is not difficult to move parts into position for assembly. Also, there needs to be enough space outside the building to be able to fasten the panel screws from the outside.
- Before assembling any parts, your base should be constructed and an anchoring system should be ready to use.

PLEASE READ AND UNDERSTAND INSTRUCTIONS COMPLETELY BEFORE ASSEMBLY. LAY OUT FRAME PARTS AS BELOW:

No.	Description	QTY
1	Middle Roof Bent Tube Outer tube: $\phi 60*2800\text{mm}$ Inner tube: $\phi 60*2667\text{mm}$	5
2	Side Upper Bent Tube $\phi 60*2800\text{mm}$	10
3	Side Middle Bent Tube $\phi 60*2800\text{mm}$	10
4	Side Lower Bent Tube Outer tube: $\phi 60*2800\text{mm}$ Inner tube: $\phi 60*2760\text{mm}$	10
5	Supporting Webbing between the arch $\phi 25*605\text{mm}$	30
6	Double Trussed Purlin $\phi 48*3052\text{mm}$	4
7	Single Truss Purlin $\phi 48*3052\text{mm}$	24
8	Diagonal Support Tube For purlin $\phi 40*630\text{mm}$	48
9	Diagonal Support Female Tube $\phi 40*1030\text{mm}$	16
10	Diagonal Support Male Tube $\phi 40*2630\text{mm}$	16

11	Φ 60 Clips		32
12	Φ 48 Clips		48
13	Tension Tube For Roof Cover Φ 60*3000mm		8
13A	Tension Tube For Roof Cover Φ 60*320mm		2
14	Clamping Piece		120
15	PVC Protective Cover		30
16	U-steel For Part No.U40		8
L1	Left Corner Base Plate		2
R1	Right Corner Base Plate		2
L2	Left Base Plate		3

R2	Right Base Plate		3
17	Φ 32mm PPR Tube		16
18	Roof Cover		1
U2	Small Ratchet With Straps		46
U9	Big Ratchet Straps		10
U15	Carriage Bolt M8x60mm		32
U40	Ratchet Straps Lashing Winch		9Pairs /18pcs
U41	Bolt M20x60mm		10
U42	Carriage Bolt M8x80mm		240
U23	Bolt M10x30mm		166
U43	Black Plastic Cap		4

SPECIFICATION

Width:15m Length: 12 m Height:5.2m
3mArch Spacing

NOTE:FRME EXTENSION KIT

This is the base frame dimension. Your model may have more or less middle ribs than shown in the illustration . You will receive more extra ribs for every extra arch spacing of building length that you purchase. The basic frame assembly will remain the same. The cover will be the correct size for the length of the building.

1.Base Plate Installation:

Before building your shelter, you should choose a flat area on your property and plot your shelter.

The two containers inner distance is 14930mm.

A.Stake out the area for the shelter in the desired spot. The width of the area should be at least equal to the width of the shelter and the length should be equal to the length of the shelter.

B.Measure diagonally from centre to centre of the tubes. These measurements should be the same as below Figure 1 shows.**Base plates (L1/R1/L2/R2) must be fully welded inside and outside. Part no.16 doesn't need to be welded in advance.The welding position can be determined according to the strap position of the roof cover when the roof cover is installed.**

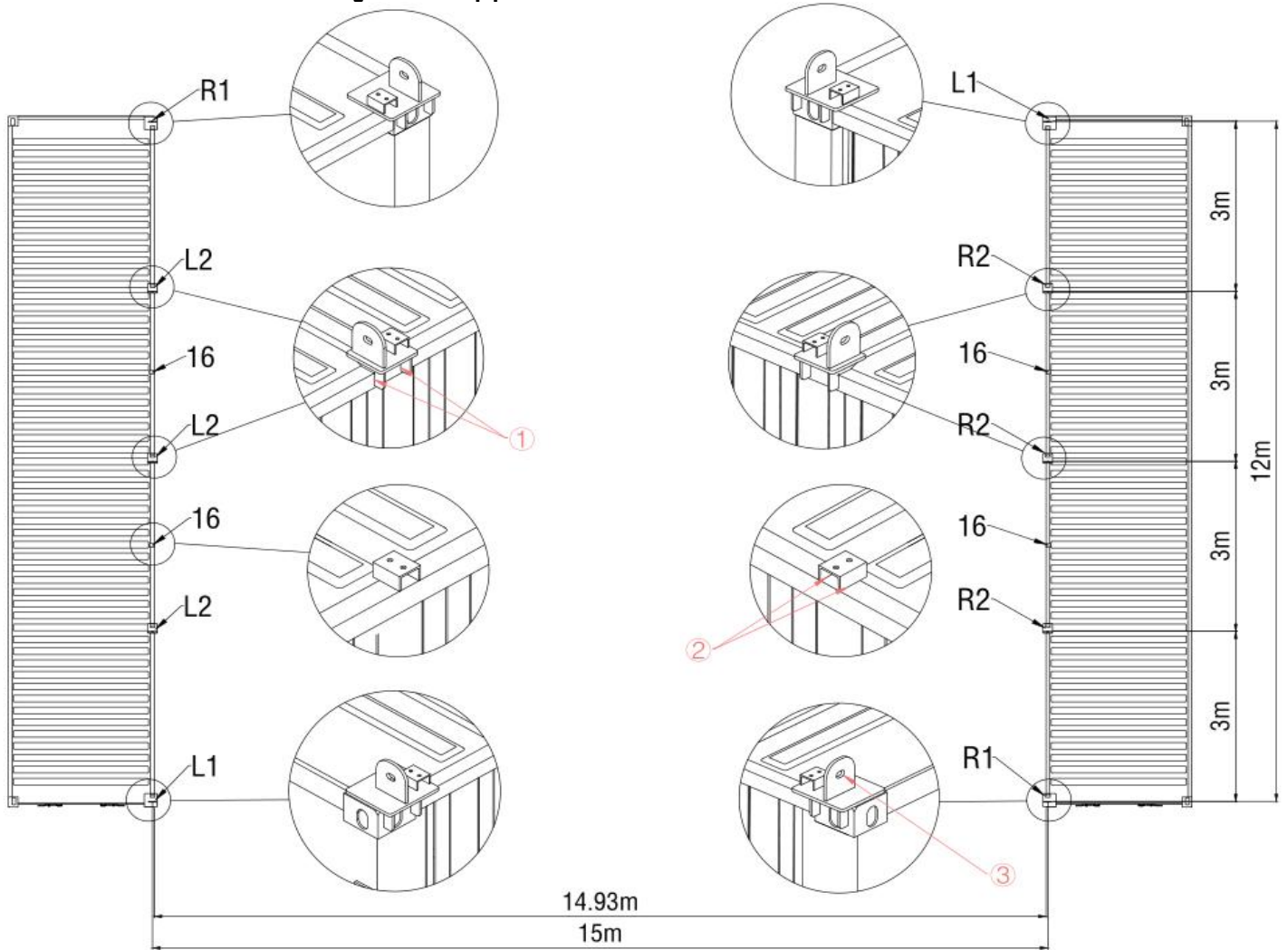
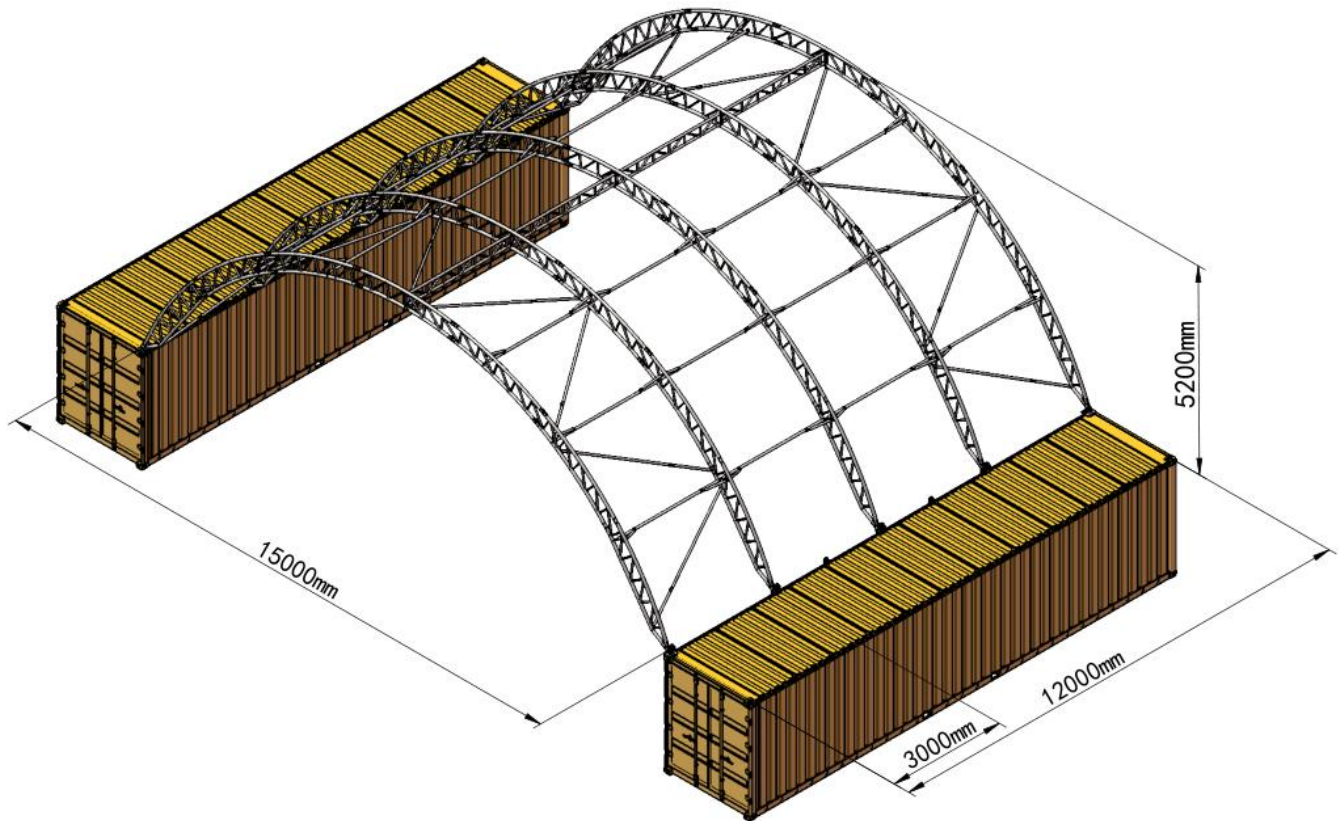


Figure 1



⚠ WARNING

SAFETY TIPS

Always wear proper safety equipment such as safety glasses and gloves

2. ASSEMBLE FRAME

Assemble the frame as below figures shown. Securely fasten all of the joints with the hardware indicated.

2.1 As Figure 2&3 shown to find one Roof Bent Tube, Middle Bent Tubes, Lower Bent Tubes and assemble these arches with Carriage bolt M8x80mm(Part no.U42) and Clamping Piece(Part no.14) to make the first arch group.

DO NOT install the screw on the top of the truss where the fabric will rest.

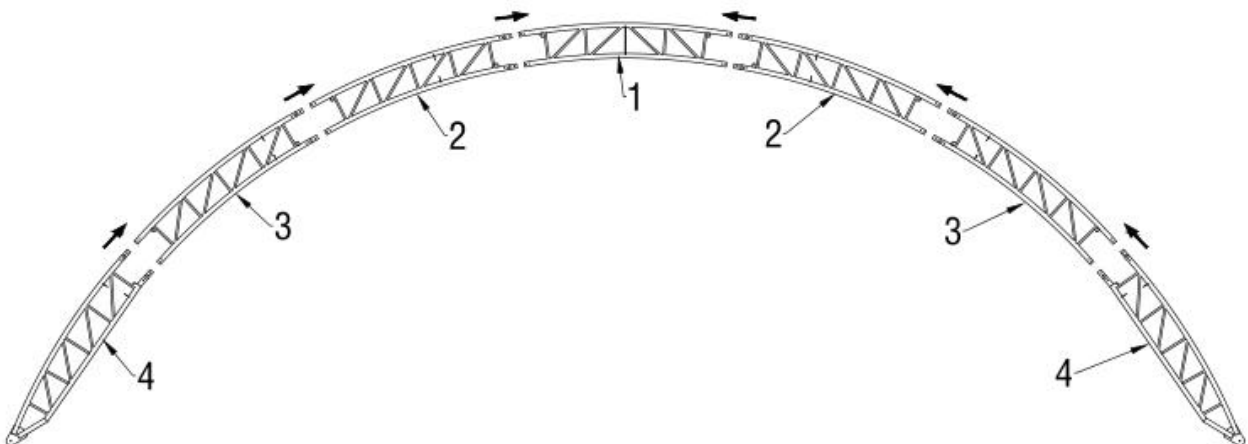


Figure 2

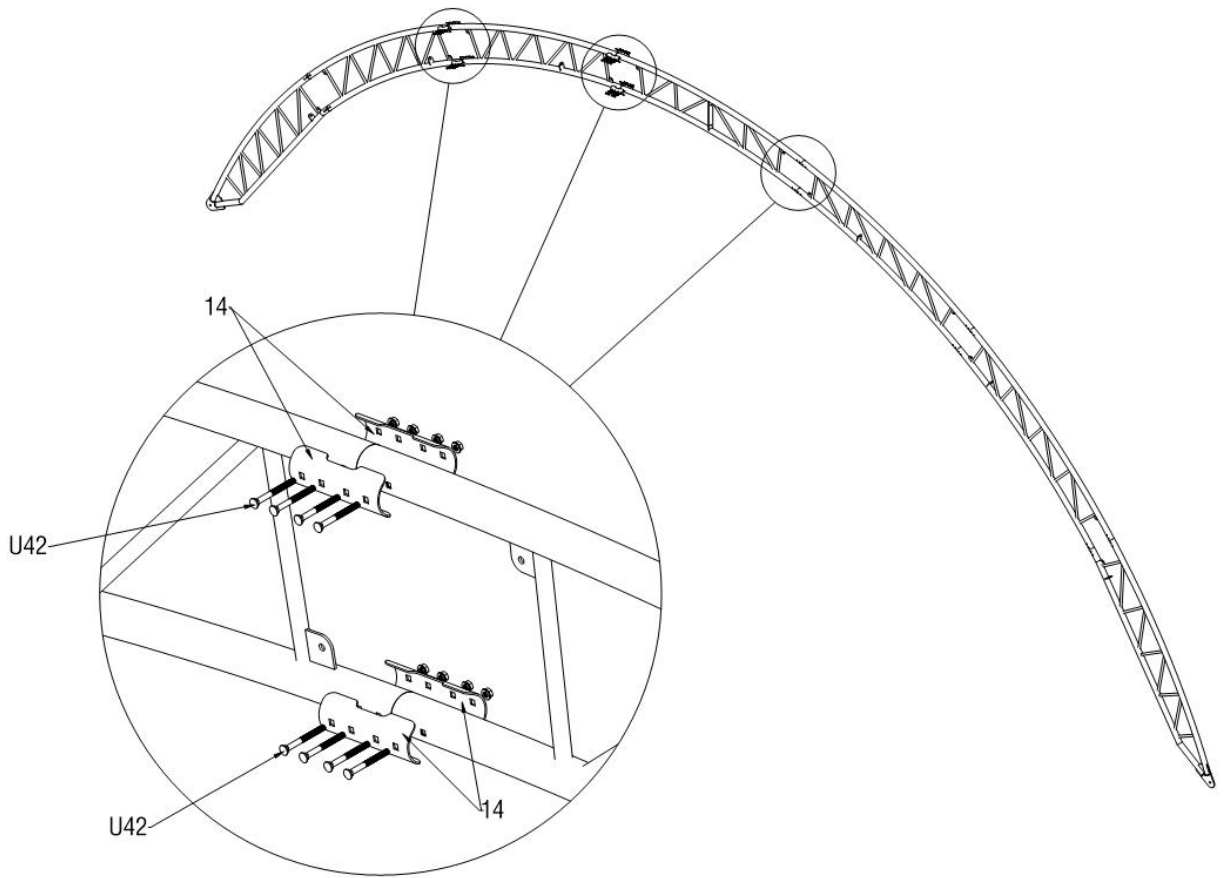


Figure 3

2.2 As Figure 485 shows, install the Supporting Webbing between the arch(No.5) by using Bolt M10x30mm(No.U23). Then put the PVC protective cover on the outer of connection of the arch to protect the roof cover from scratched by the outer joint.

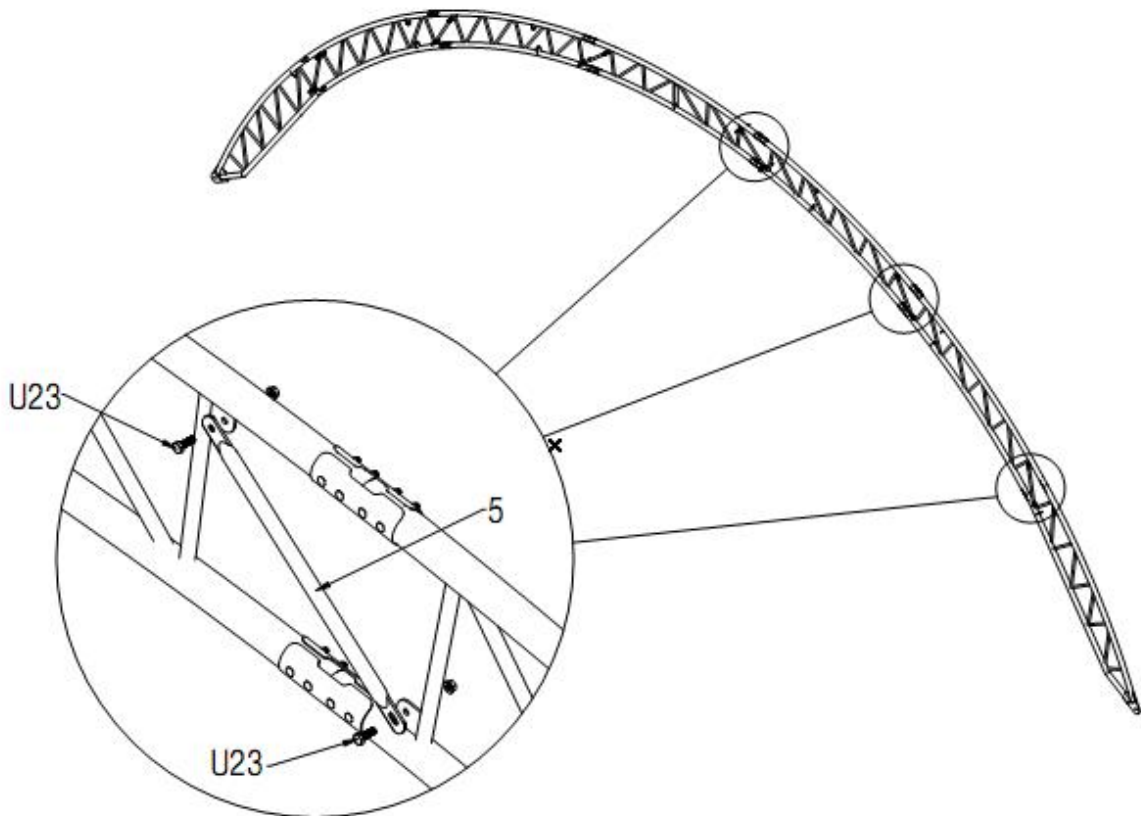


Figure 4

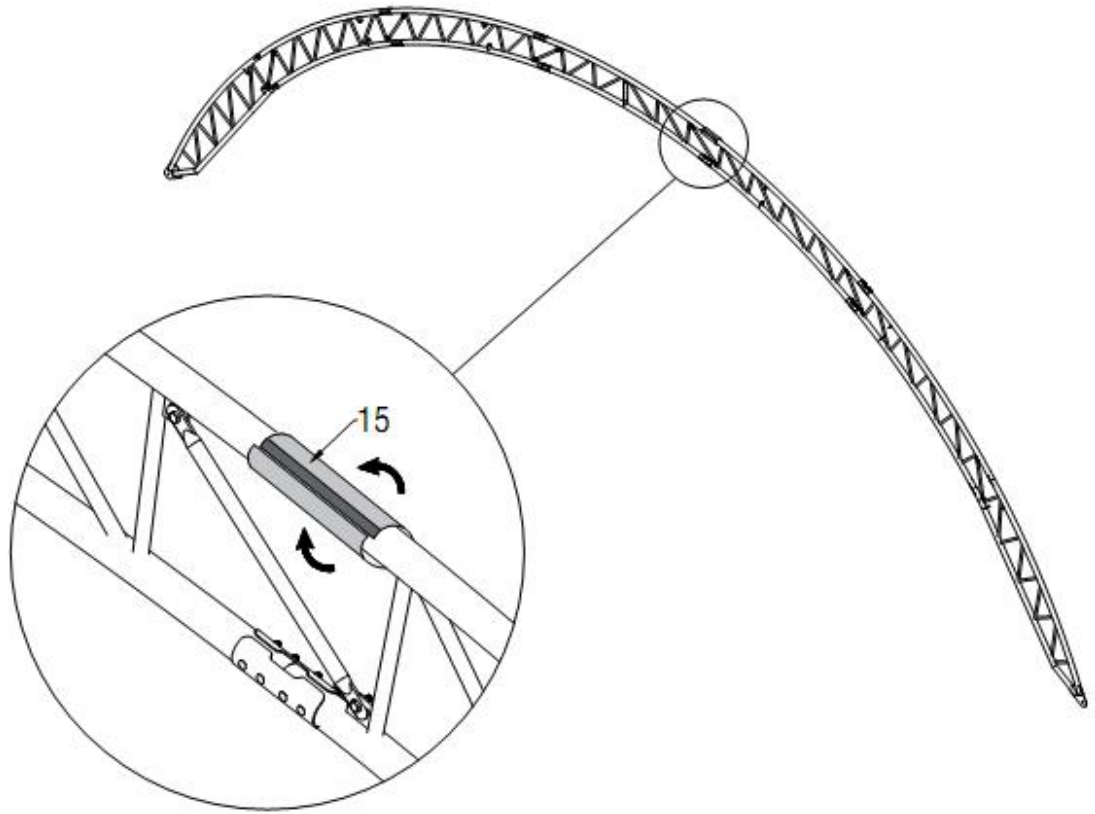


Figure 5

2.3 Lift an assembled arch onto one base plate and connect the arch with the base plate by using Bolt M20x60mm(Part no.U41), and force the other end of the arch onto the opposite base plate by same way as Figure 6 shows.

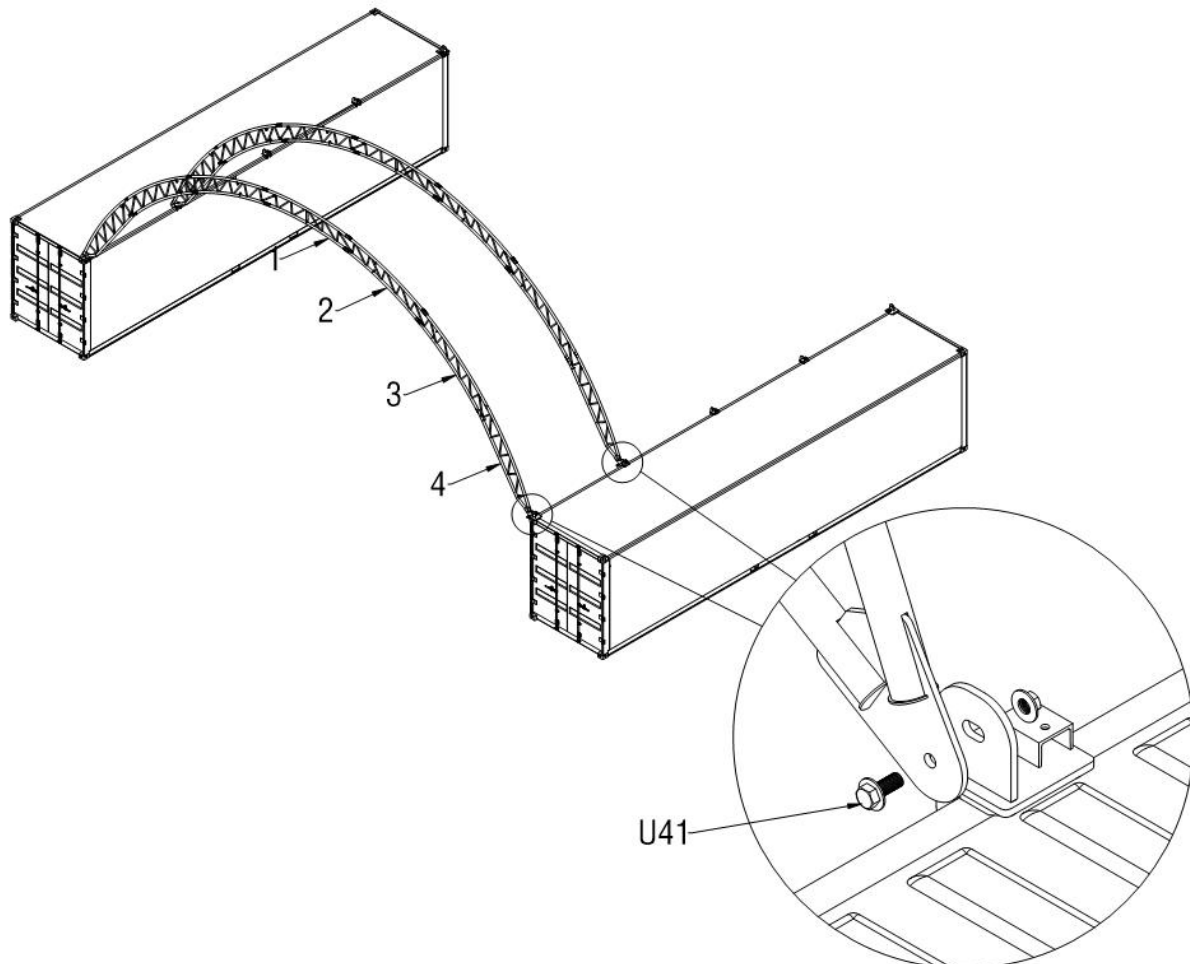


Figure 6

2.4. After finishing installing the first two arches with the base plates, install middle double trussed purlin (Part no.6) between two arches by using bolt M10x30mm (Part no.U23) and single truss purlin (Part no.7) using between two arches by using bolt M10x30mm (Part no.U23). There are one pcxDouble trussed purlin and 6pcxsxsingle truss purlins between arches. After that, install the third arch, connect the third arch with the base plate as mentioned earlier, connect all remaining purlins by turns.

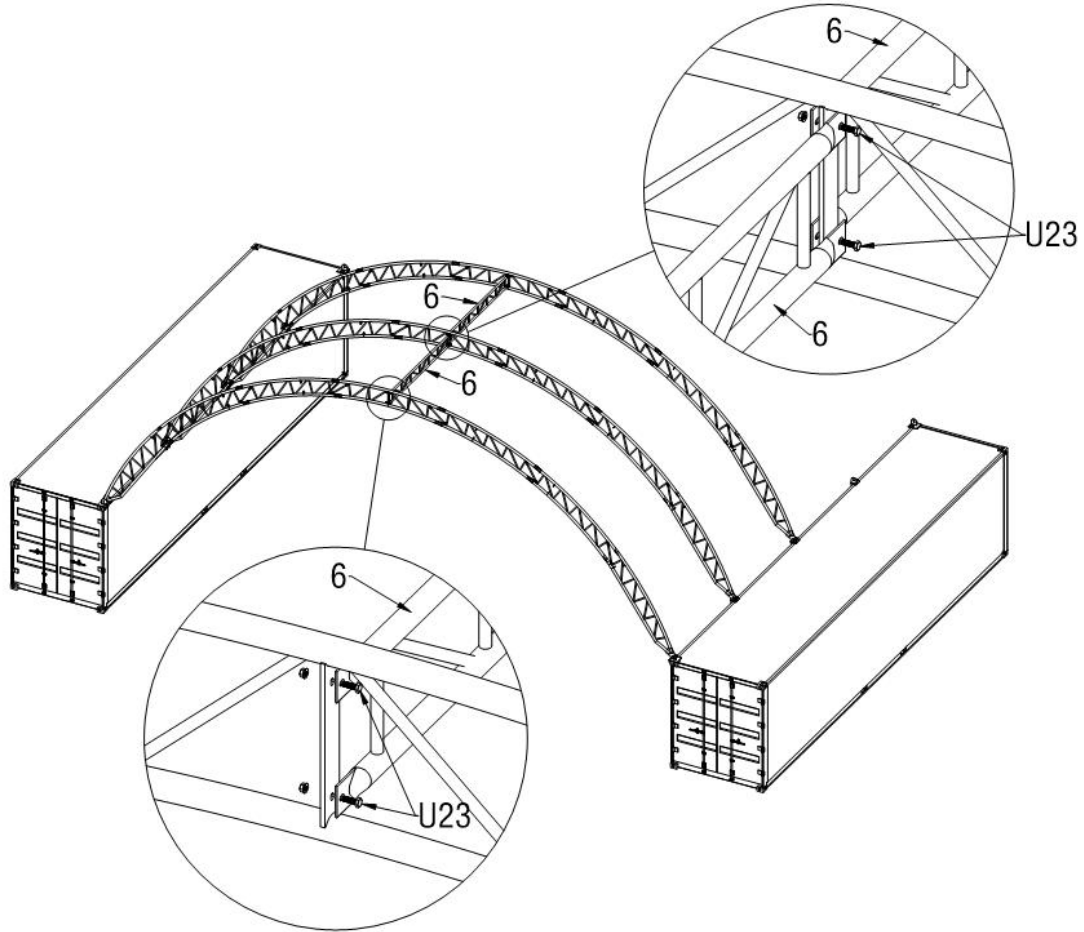


Figure 7

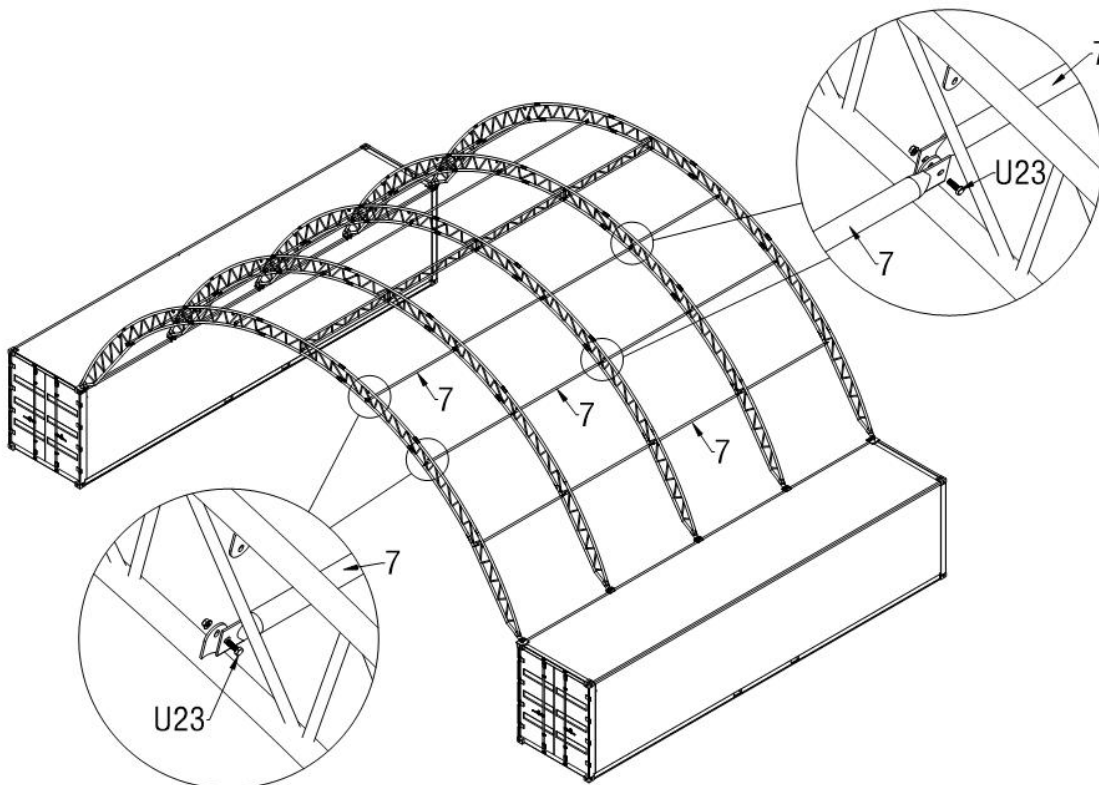


Figure 8

THINK SAFETY, EVERYDAY!

2.5. Connect the Diagonal Support Tube For purlin (Part no.8) to the arch and purlin (Part no.7) by bolt M10x30mm (Part no.U23) and clips (Part no.12) as below Figure 9 shows.

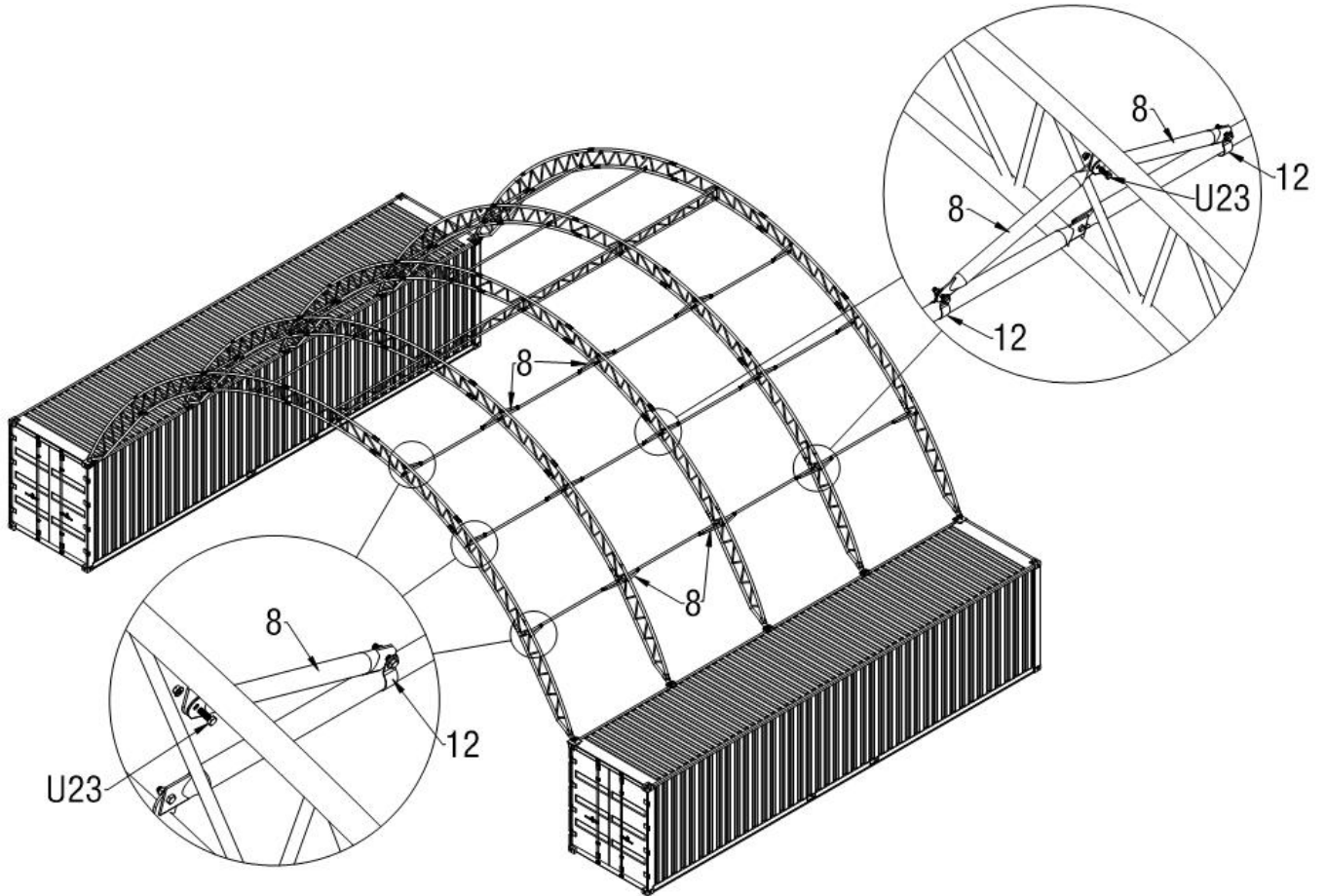


Figure 9

2.6. Connect the Diagonal Support tubes (Part no.9 and no.10) by using Carriage bolt M8x60mm (Part no.U15), then install the diagonal support tubes to the arches by using clips (Part no.11) as below Figure 10 shows. There are total two groups x diagonal support tubes as the figure shows.

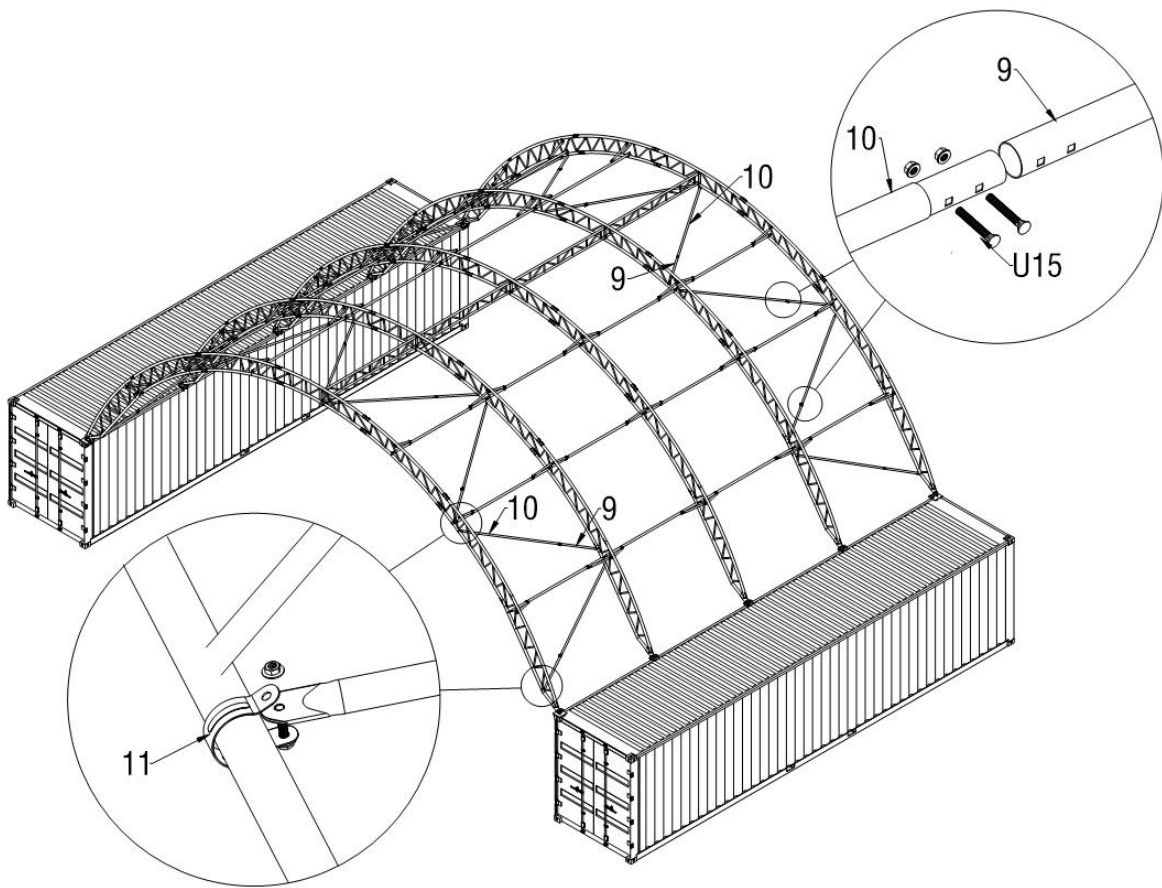


Figure 10

2.7. Before installing the roof cover, put the ratchet Straps Lashing Winch (Part no. U40) on the base plates by using Bolt M10x30mm (Part no. U23). There are two pcs x straps in the middle of roof cover. After checking the roof cover middle straps location, weld the U-steel (Part no. 16) fully between two base plates, then install the ratchet Straps Lashing Winch (Part no. U40) on U-steel by using Bolt M10x30mm (Part no. U23)

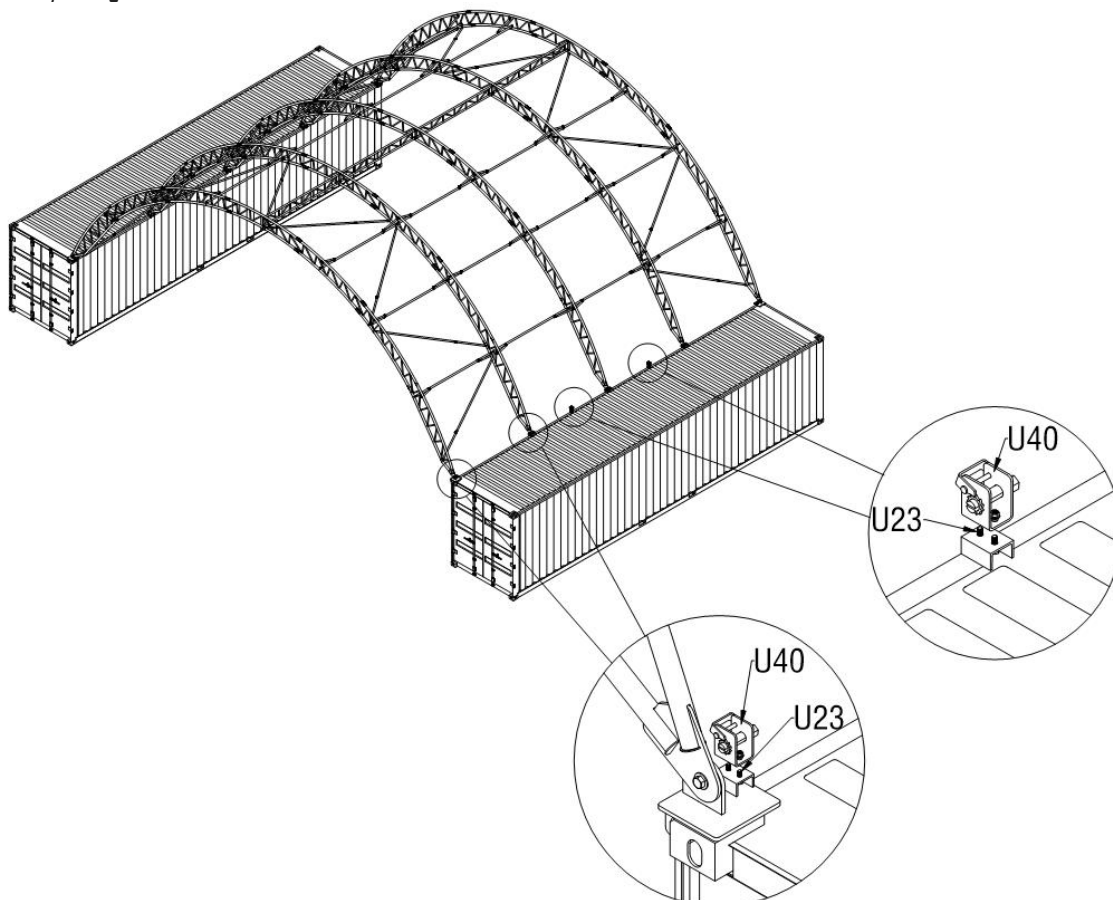


Figure 11

3. INSTALLING THE COVER ON THE FRAME

NOTE: DO NOT install the cover onto the frame of your building in high wind conditions. A slight breeze is the most advantageous for cover installation. To take advantage of the breeze, pull the cover up over the arches with breeze blowing in the cover like a sail filled with air.

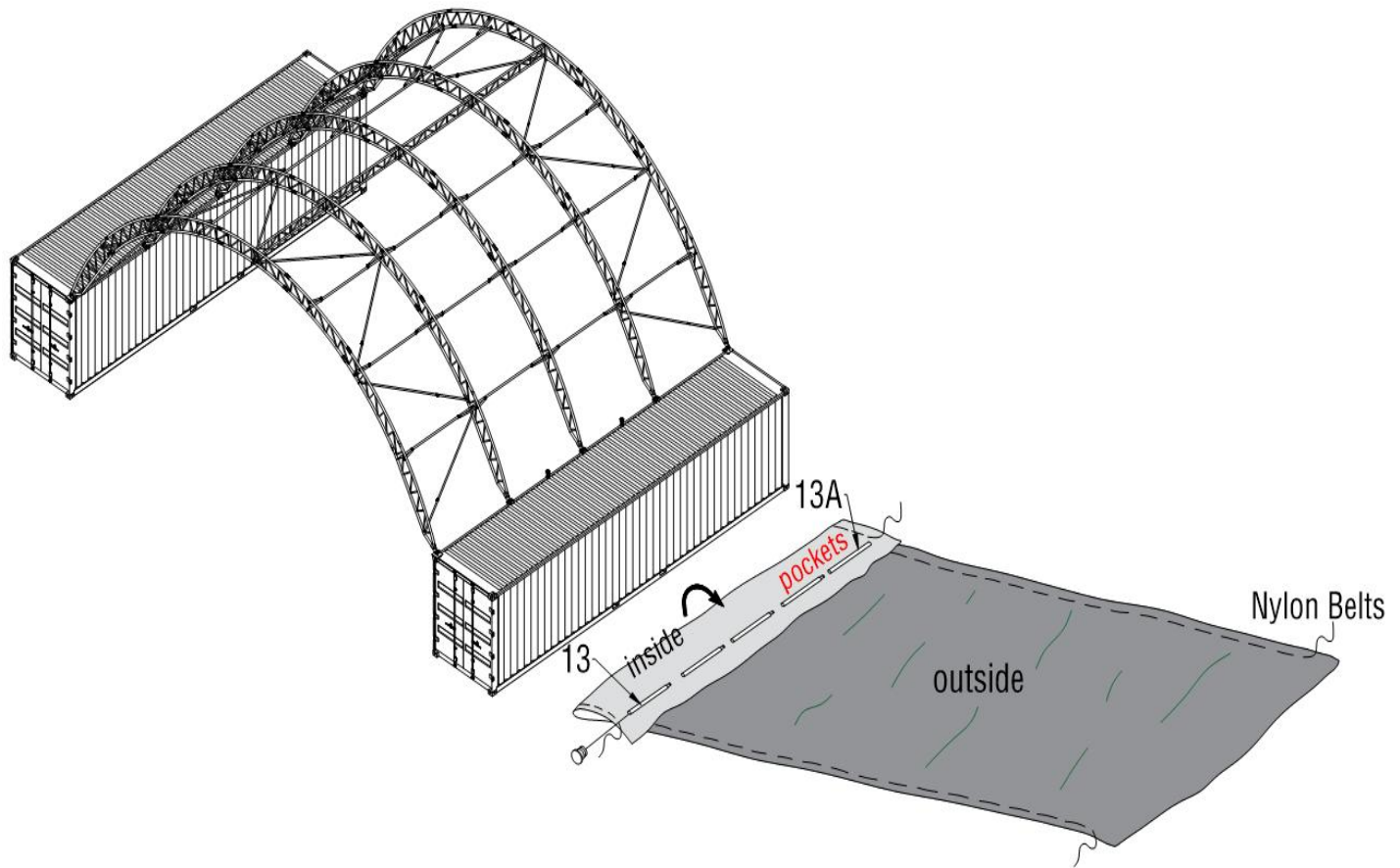


Figure 12

1. Assemble Tension Tube (Part no.13 and 13A)for Roof Cover before installing the cover.Put the black plastic cap(Part no.U43)into the end of tension tube.
2. Roll out the roof cover on a ground sheet. Align the cover evenly to each end of the frame.

Note: Be sure doing not pull over the end of the roof cover.

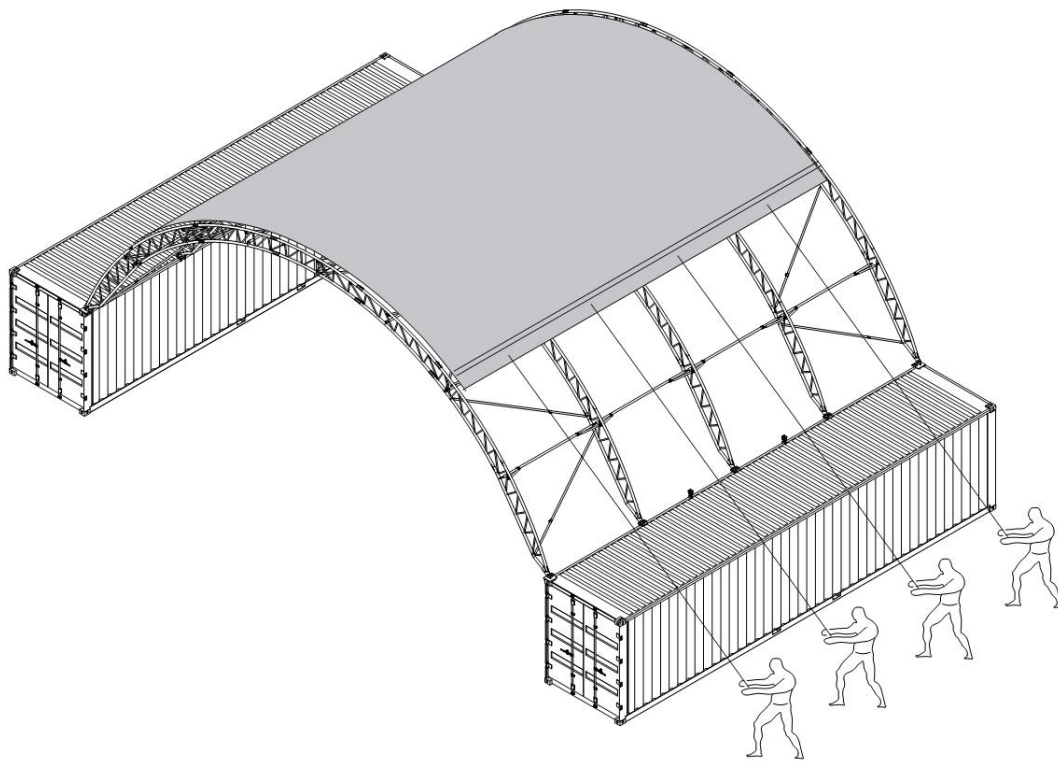


Figure 13

3. Pull the cover over the frame **EVENLY, CAREFULLY AND SLOWLY. DO NOT TIGHTEN.** Adjust the cover so that it is square and evenly centered on the frame. Put the remaining lower tension tube and insert them into the bottom pocket of roof cover.

Note: The end flaps must overhang evenly at both ends.

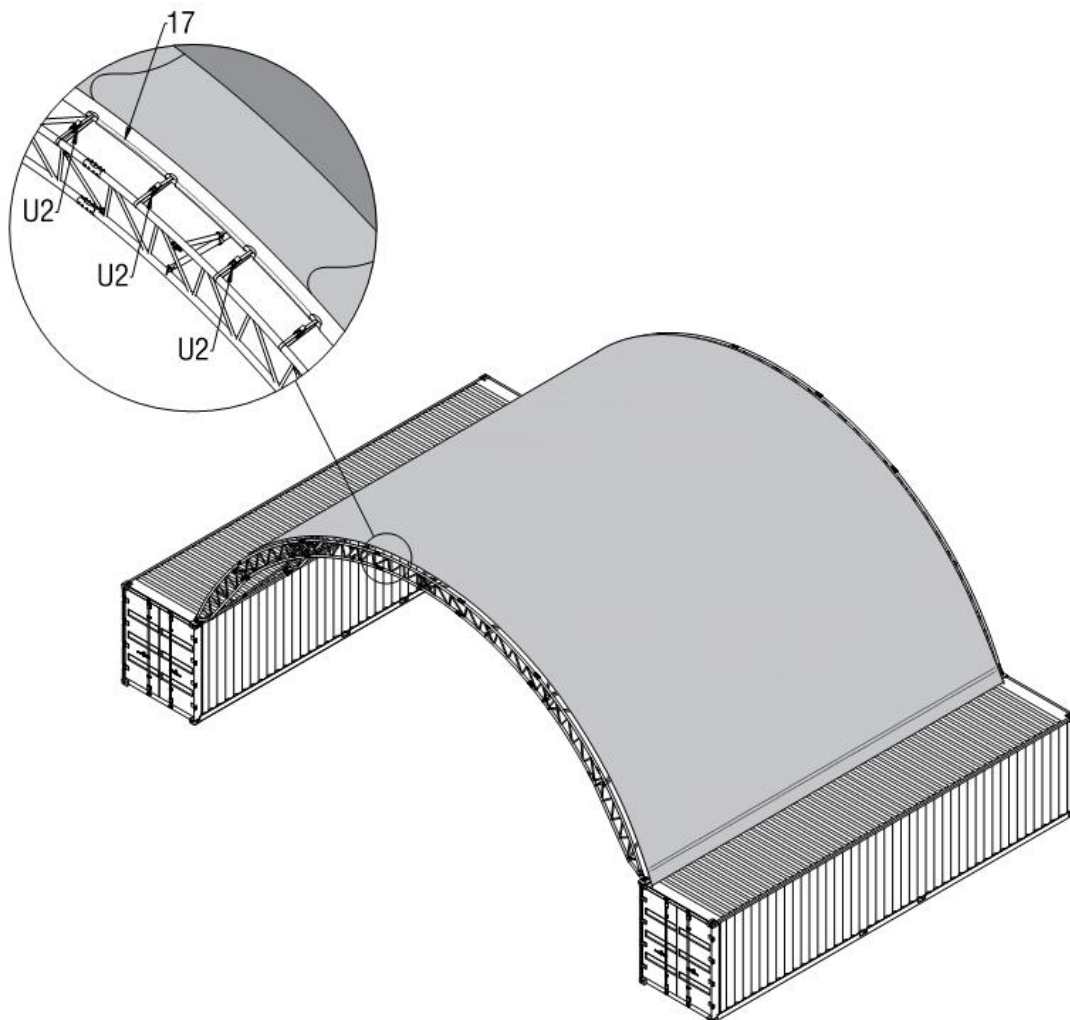


Figure 14

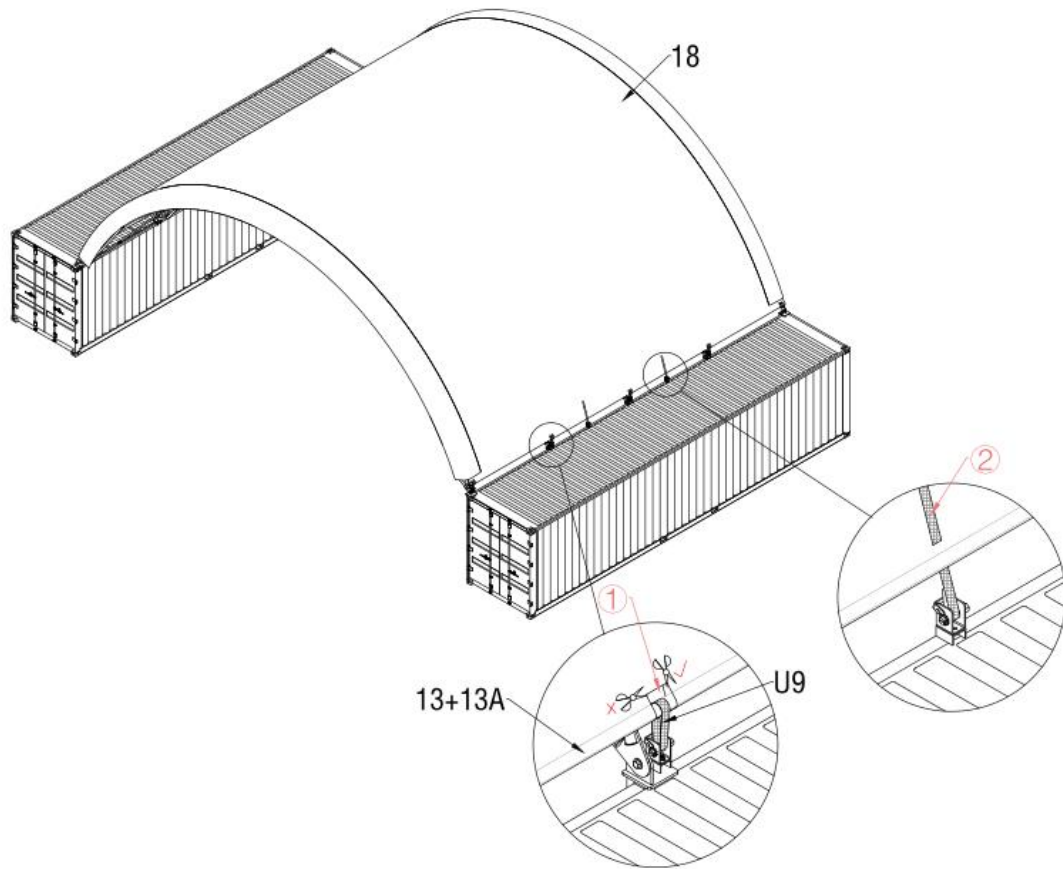


Figure 15

4. Insert the PPR Tube (Part no.17) into the end of roof cover by using small ratchet with straps (Part no.U2) to the arch as Figure 14 shows. Then cut the lower tension cover pocket according to the base plate location (**Please note the Cutting direction, the cutting should be Perpendicular to the cover pocket as the Figure 14 shows**). Insert the nylon straps (Part no.U9) into the winch, drive the ratchet straps lashing winch forth and back and then roof cover is tightened. The roof cover tightening should be properly tightened and not too tight.

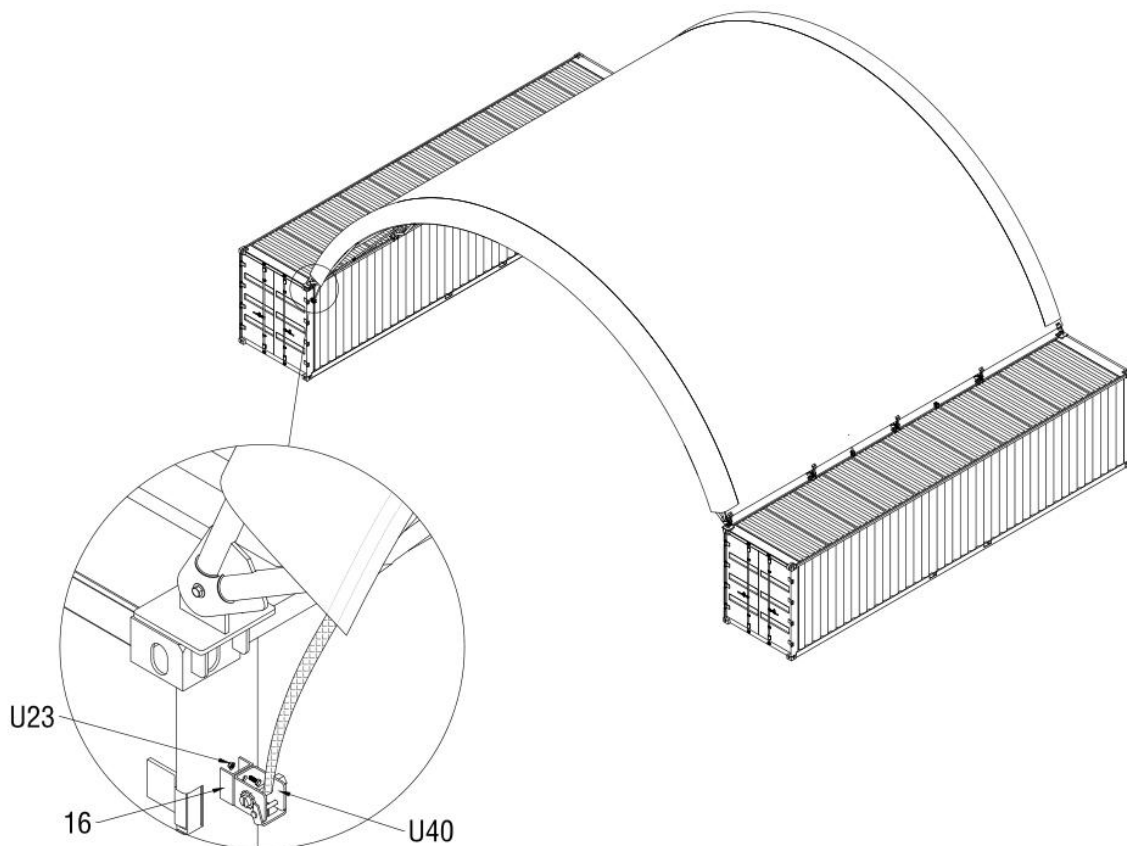


Figure 16

5. Finally weld the U-steel (Part no.16) on the end of shipping container ,install the ratchet straps lashing winch by using bolt M10x30mm(Part no.U23)and insert the roof cover corner straps into the winch and drive the ratchet straps lashing winch forth and back.**NOW THE INSTALLATION IS FINISHED.**

NOTE:

Please adjust the roof cover every month. It's necessary to make the cover flat and well tensioned.

Confirm that all the hardware and parts are present before attempting to assemble your storage unit.

⚠WARNING

**SAVE THIS MANUAL
FOR FUTURE REFERENCE**

RETURN AND WARRANTY INFORMATION

WARRANTY INFORMATION

WHAT IS NOT COVERED UNDER WARRANTY:

Manufacturers/distributors/retailers of these products are not responsible for the following:

- (1) Used products;
- (2) Any product that that been used, altered, or modified in any way;
- (3) Depreciation;
- (4) Damage caused by lack of reasonable and proper maintenance;
- (5) Failure to follow instructions, directions, drawings
- (6) Improper installation, misuse or lack of proper protection during installation, use or storage;
- (7) Damage resulting from accident or falling objects;
- (8) Damage due to normal maintenance or lack thereof;
- (9) Exposure to harmful chemicals, fumes, or other substances, foreign or natural in the atmosphere;
- (10) Acts of God, which includes but is not limited to, wind damage, excessive snow load, flood, hail, tornado, sleet, ice, fire;
- (11) Unforeseen causes or circumstances, such as but not limited to: added load to the structure, or any other external forces
- (12) Product which is not in the possession of the original purchaser;
- (13) Structure is not properly anchored or installed;
- (14) Third party installation fees are not covered under warranty

(15) Loss of income, wages, travel expenses, personal property, equipment rental, fuel, and/or property value are not recoverable

(16) Any condensation damage to the product and its contents.

End panels are excluded from any warranty regardless of the product series or classification.

FAILURE DUE TO IMPROPER INSTALLATION OF THE PRODUCT IS NOT COVERED UNDER WARRANTY

If a product/part is deemed to be defective & not caused by the purchaser and within the warranty term limits, Our company will provide replacement parts at no charge to the purchaser. Examples of defective parts are (but not limited to): torn covers, holes in cover, bent bolts, broken ratchets.

RETURN INFORMATION

GM SHELTER Limited does offer product return with a 10% restocking fee. It is also the customer responsibility to pay for returned product shipment to and from the final destination. It is also customer responsibility to arrange delivery of the returned product to the manufacturer in the original condition (which includes packaging). Upon suitable assessment of the returned package, the refund will be provided. Suihe Limited reserves the right to decline product returns under certain conditions.

Product ordering and payment constitutes acceptance of the terms and conditions stated above.

TERMS AND CONDITIONS

We strive to provide the best products and services at a reasonable price for potential and ordering customers. This informational instruction is targeted to provide as much informational material as possible in order for potential customers to make an educational decision. Our products are designed to provide an optimal shelter solution at a reasonable cost. The terms and conditions below apply to the products described on this website.

GM SHELTER Limited also assumes no responsibility for any "human caused" or "animal" related incidents. This list includes (but is not limited to) the following: fire, vandalism, chemical interaction, falling objects, damage caused by animals or insects, **misassembly, improper anchoring, lack of proper maintenance/care**, and additional weight added to the inside or outside of the structure.

GM SHELTER Limited is not responsible for any of the following as a result of usage of these fabric structures. This list includes (but is not limited to) the following: loss of wages, loss of income, depreciation, property damage, litigation costs, equipment or vehicle rental, equipment damage, construction costs, fuel costs, appraisals, livestock or animal loss, and bodily injury or death. Suihe Limited strongly recommends purchasing insurance for all structures in the rare event of damage due any of the above stated items.

Although our shelter products are considered "temporary/portable structures" and typically do not require building permits, Suihe Limited recommends all prospective purchasers consult local authorities on building permits prior to purchase.

Although our fabric structures perform well under a variety of weather conditions, no snow or wind load ratings are provided due to the "portable structure" nature. As a result, GM SHELTER Limited assumes no responsibility for damage or destruction caused by any Act of God. This includes (but is not limited to): wind, snow, hail, lightning, hurricanes, tornadoes, volcanoes, rain, avalanches, fire, or flooding.

Product purchase constitutes acceptance of the above terms and conditions