

# SHELTER

## ASSEMBLY MANUAL

Model-204016DP

Model-203216DP

Size: W6.1X12.2xH4.88m

Size: W6.1X9.76xH4.88m



## **SPECIFICATION**

204016DP

Length: 12.2m      Width: 6.1m      Height: 4.88m

203216DP

Length: 9.76m      Width: 6.1m      Height: 4.88m

Door size:W3.66\*H3.05m

## **IMPORTANT---READ MANUAL FIRST**

Improper site preparation, assembly and maintenance may invalidate warranty and cause unnecessary and costly mistakes. If you have any questions contact your local dealer.

For User Friendly assembly we have identified each individual component with the part code as indicated in the parts list. Please refer to the part code numbers and drawing to ensure problem free assembly.

It's necessary to tighten the roof fabric enough to avoid "hammocks" on the roof and also re-tighten once or twice again after a few months of use. This is important when assembly in cold weather (autumn and winter) because the fabric is stiff then and when we got the sun and warm weather afterwards it will make the fabric " slack " again and need to be re-tighten before next winter.

It's **the owners responsibility** to take of snow immediately if not slide of by itself.

## **READ ALL INSTRUCTIONS BEFORE ASSEMBLY**

1. Keep work area clean. Cluttered areas invite injuries. Do not set up near snow drifts, in slippery places, in high winds, or wet location.
2. Keep children away. All children should be kept away from the work area. Be aware of personal safety. Be careful not to pinch fingers with clips and tubes when assembling: when using makes sure there is adequate ventilation for exhaust and other dangerous fumes.
3. Do not over reach. Keep proper footing and balance at all times.
4. Do not assemble if under the influence of alcohol or drugs. Read warning labels on prescription to determine if your judgment or reflexes are impaired while taking drugs. IF there is any doubt, do not assemble.
5. Be aware of possible windy conditions; fasten the base in concrete if these situations may occur. Remove the cover during hurricane.
6. Be careful with power and heat sources. Do not keep heat sources near the tarpaulin. Do not expose to open flame.
7. Be aware of personal safety during assembly and use .Be careful not to pinch fingers with clips and tubes when assembling when using makes sure there is adequate ventilation for exhaust and other dangerous fumes.

Parts List		204016P	203216P
Part	Description	Quantity	
1	Roof bent tube	4	3
1A	Roof bent tube for front and back door	2	2
2	Sidewall inclind tube	8	6
2A	Sidewall bent tube for front and back door	4	4
3	Shoulder bent tube	12	10
4	Standing leg	10	8
4A	Standing leg for front and back door	2	2
5	Purlin	25	20
6	Base Plate at middle	8	6
6L	Base Plate at left for corners	2	2
6R	Base Plate at right for corners	2	2
6A	Base Plate at left for front and back door	2	2
6B	Base Plate at right for front and back door	2	2
7	Stake peg	56	48
8	Lower standing leg at left for front and back door	2	2
8A	Lower standing leg at right for front and back door	2	2
9	Upper standing leg at left for front and back door	2	2
9A	Upper standing leg at right for front and back door	2	2
10	Door beam on both doors	4	4
10A	Suspender for both doors	2	2
11	Purlin for both doors	4	4
12	Tube for assembling mechanical wheel on both door	2	2
12A	Mechanical wheel	2	2
13	Vertical pipe for front and back door	2 groups	2 groups
14	Base tensioning tube for Roof cover	2 groups	2 groups
15	Φ32mm Plastic cap	36	36
16	Tensioning tube for front and back doorΦ32mm	4	4
17	Bolt 8*60mm	192	176
18	Bolt M8*80mm	30	25
19	Bolt 12*30mm	12	12
20	Bolt 10*90mm	24	24
21	Ratchet	16	14
22	Nylon Band for Ratchet	12	10
23	Rope	1 bundle	1 bundle
24	Roof cover	1	1
25	Front and back door cover	2	2
26	Triangle	8	8
27	Steel wire	4	4
28	Side splint	8	8
29	PVC tube	2 groups	2 groups

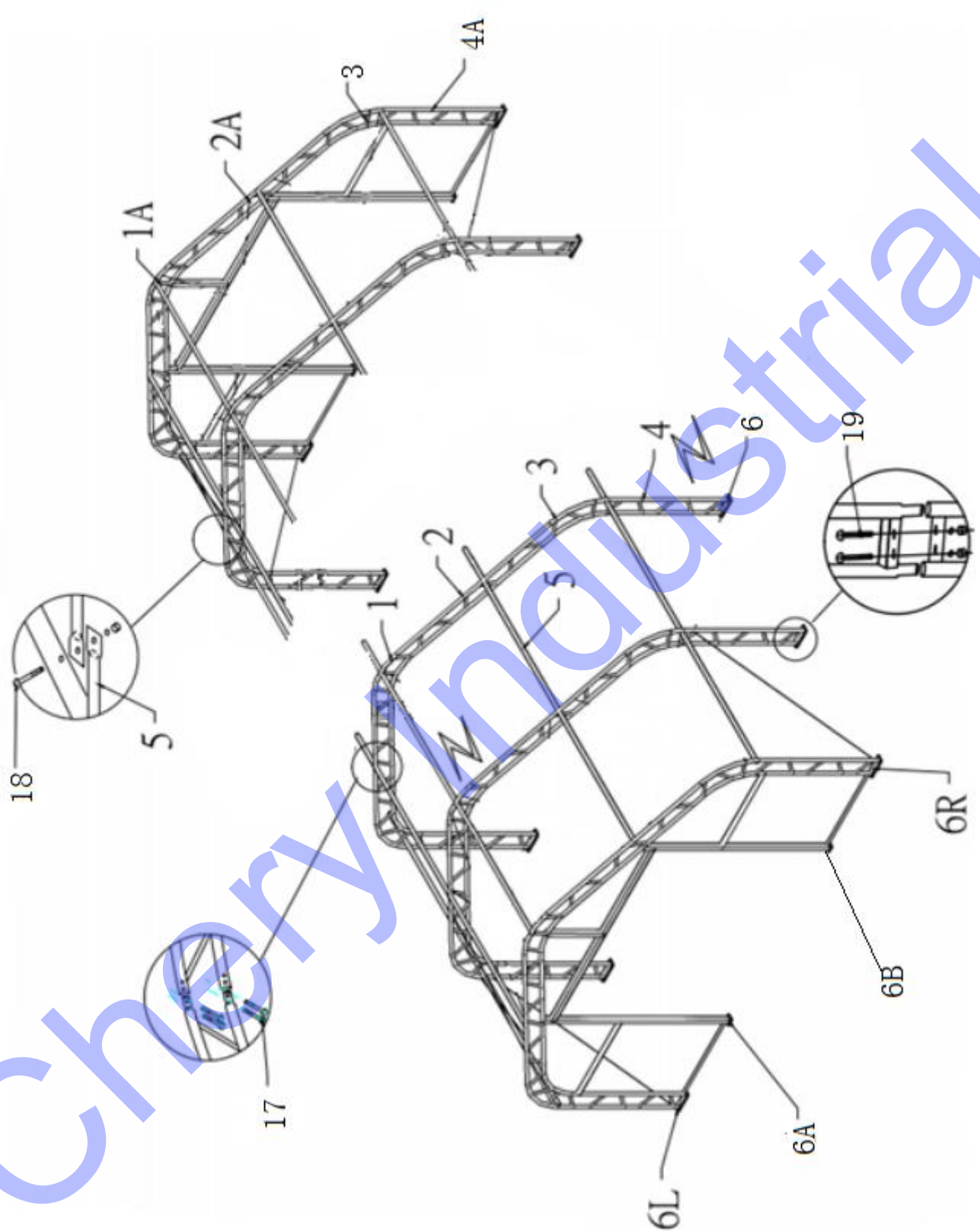


Figure 1: Frame Sketch

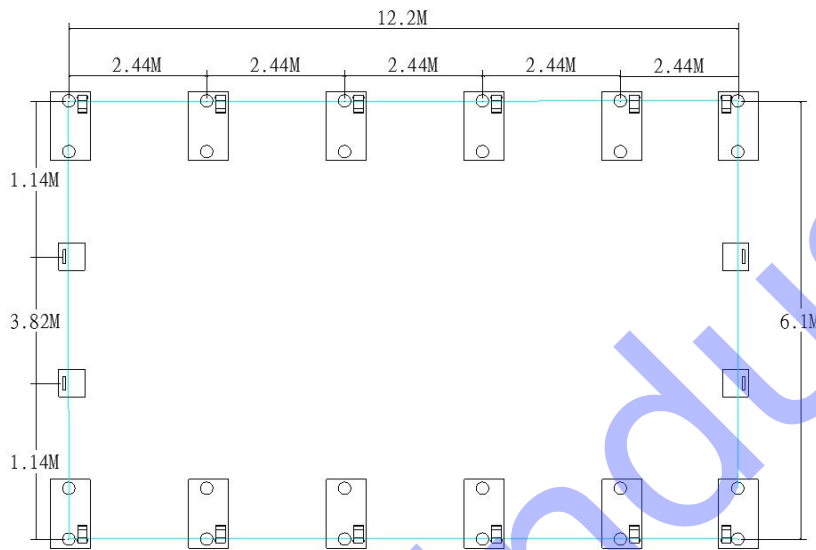
## EQUIPMENT AND TOOLS FOR INSTALLATION

- |                   |                            |
|-------------------|----------------------------|
| 1. Measuring Tape | 2. String for alignment    |
| 3. Stake          | 4. Ladder or Scissors Lift |
| 5. Sledge Hammer  | 6. Drill                   |
| 7. Wrench         | 8. Knife                   |
| 9. Hoist          |                            |

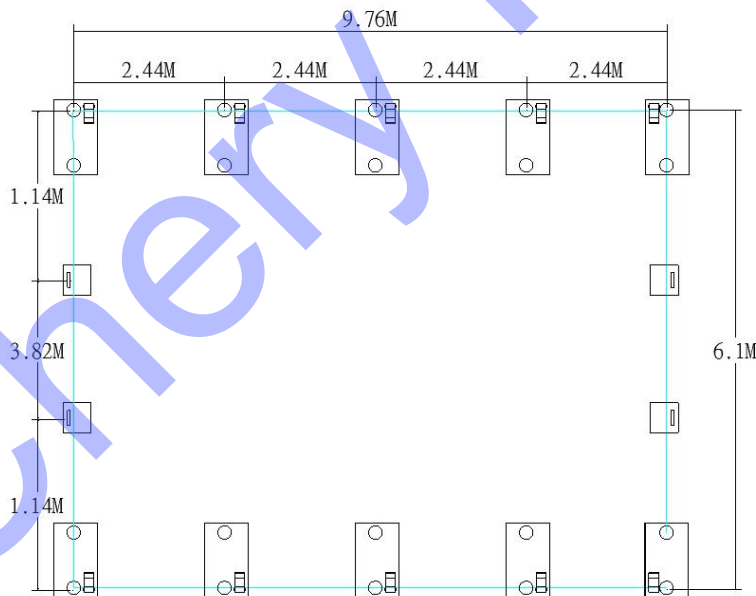
## INSTALLATION PROCESS

### A----BASE INSTALLATION

Please refer to the diagram (Figure 2) to place the base plates:



204016P Base Plate



203216P Base Plate

Figure 2 Base Plate

1. The measurement is from center to center of tubes on the base palates. Referring to the above diagram and confirm the place of base plates. There are four holes on the plates for stake pegs.

## Foundation placement

As Figure 3 shows each Base plate is equipped with 4 pieces of Stake peg.

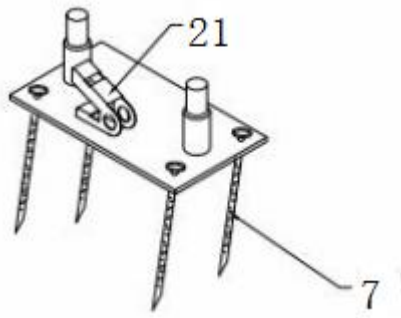


Figure 3

1. Mark the stake peg hold through the base plate by using the stake peg. Move the base plates away and the mark determines where the stake peg will be.
2. **Note:** The stake peg apply for normal conditions, not suitable to the rock ground, frozen soil and concrete ground.

## B---FRAME INSTALLATION

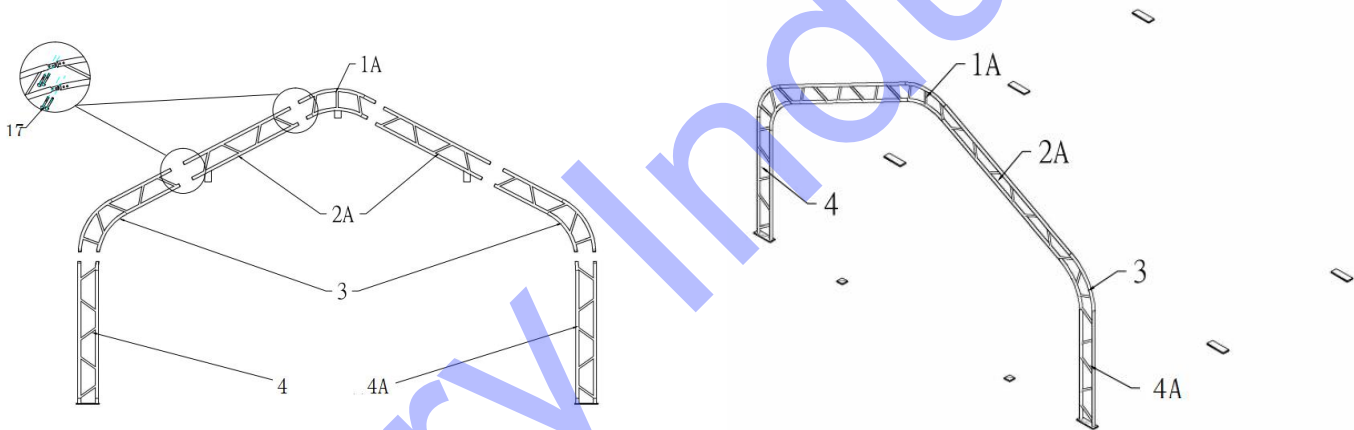


Figure 4

1. Figure 4 shows to connect the Roof bent tube for front and back door (No.1A), Sidewall bent tube for front and back door (No.2A), Shoulder bent tube (No.3), Standing leg (No.4) and Standing leg for front door (No.4A) with Bolt 8x60 (No.17), then put the arch into tube of the Base flange by hoist (see Figure 4)

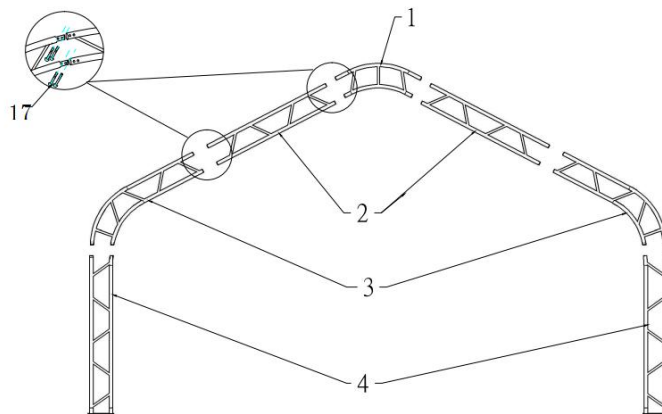


Figure 5

2. Figure 5 shows to connect the Roof bent tube (No.1), Sidewall bent tube (No.2), Shoulder bent tube (No.3), and

Standing leg(No.4) with Bolt 8x60(No.17), then put the arch into tube of the Base flange by hoist, and assemble every group arch by turns(see Figure 5)

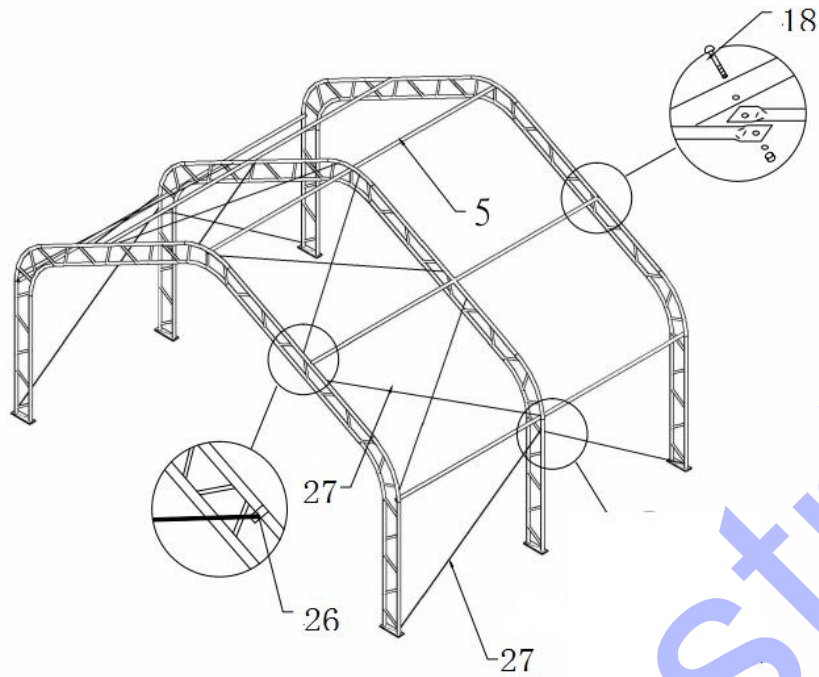


Figure 6

3.Connect Purlin(No.5) to arch by using Bolt 8\*80mm (No.18) by turns(see Figure 6),then connect the Steel wire(No.27) on top and side by using Clip(No.26) (see Figure 6).

#### D--- INSTALLING FRONT AND BACK COVER

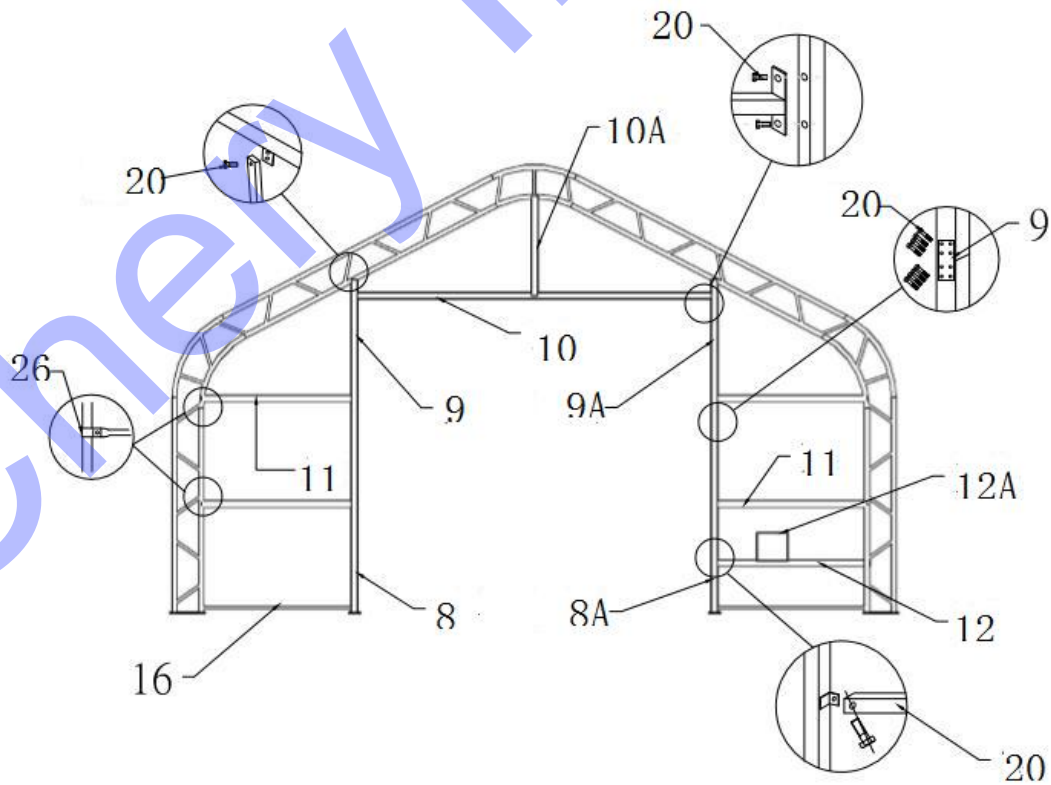


Figure 7: Front and Back door

1. Figure 7 shows to assembly the door frame according to Figure 7.

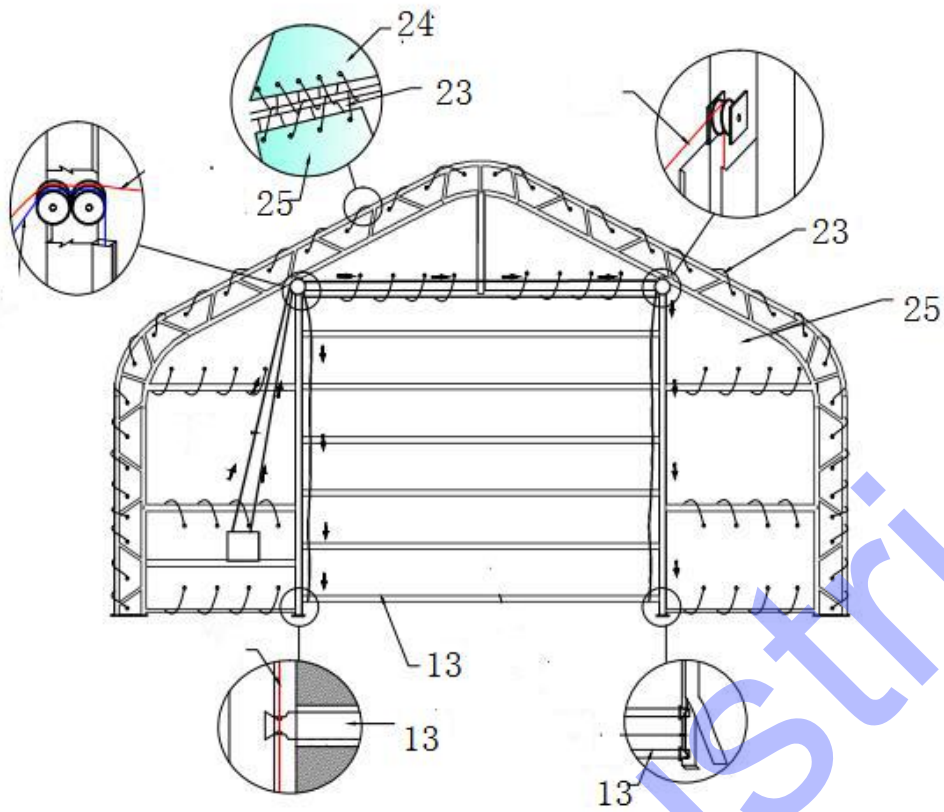
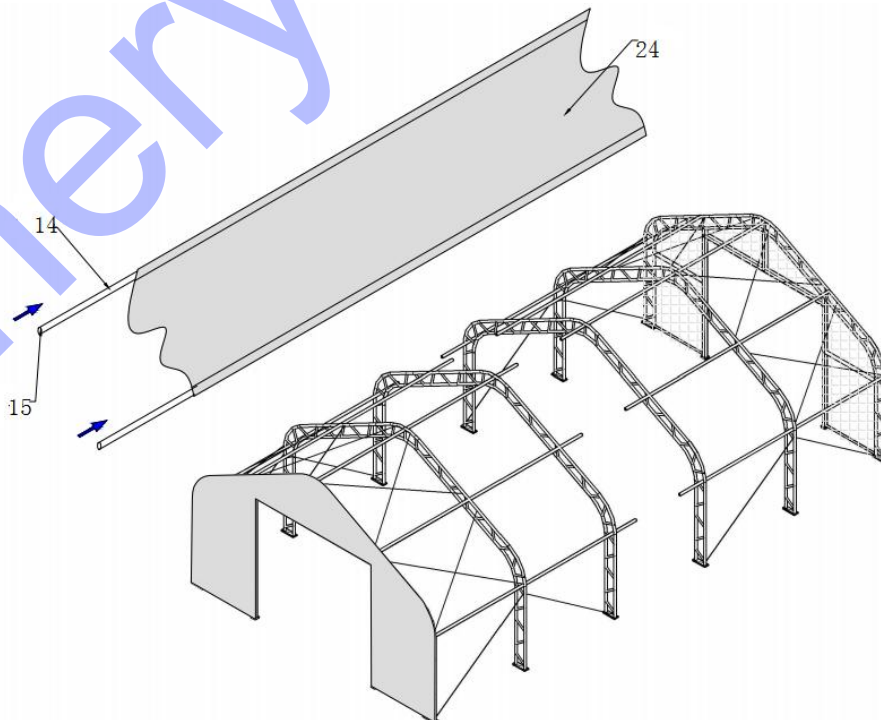


Figure 8: Front and Back Cover

2. Insert the vertical pipe into front and back door through the pockets on covers, assembly the Mechanical wheel, tidy the front door and back door covers by using Rope (No. 23), **make the cover well fold to the frame first and then tension the cover.**

### E--- INSTALLING THE ROOF COVER

**NOTE: Do not install the cover onto the frame of your building in high wind conditions.**



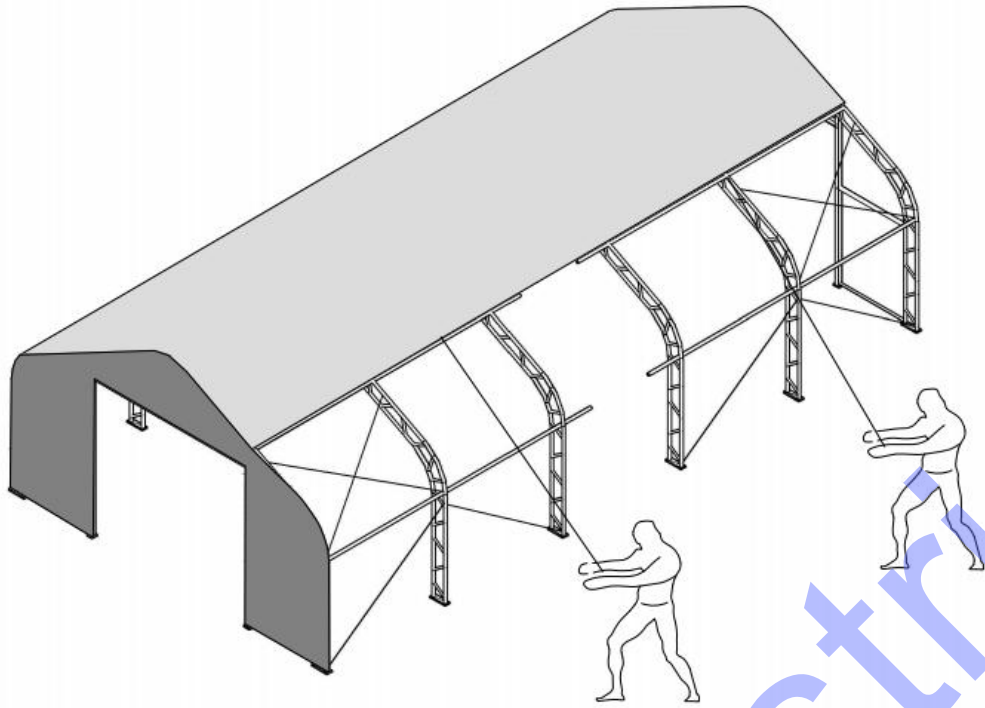


Figure 9

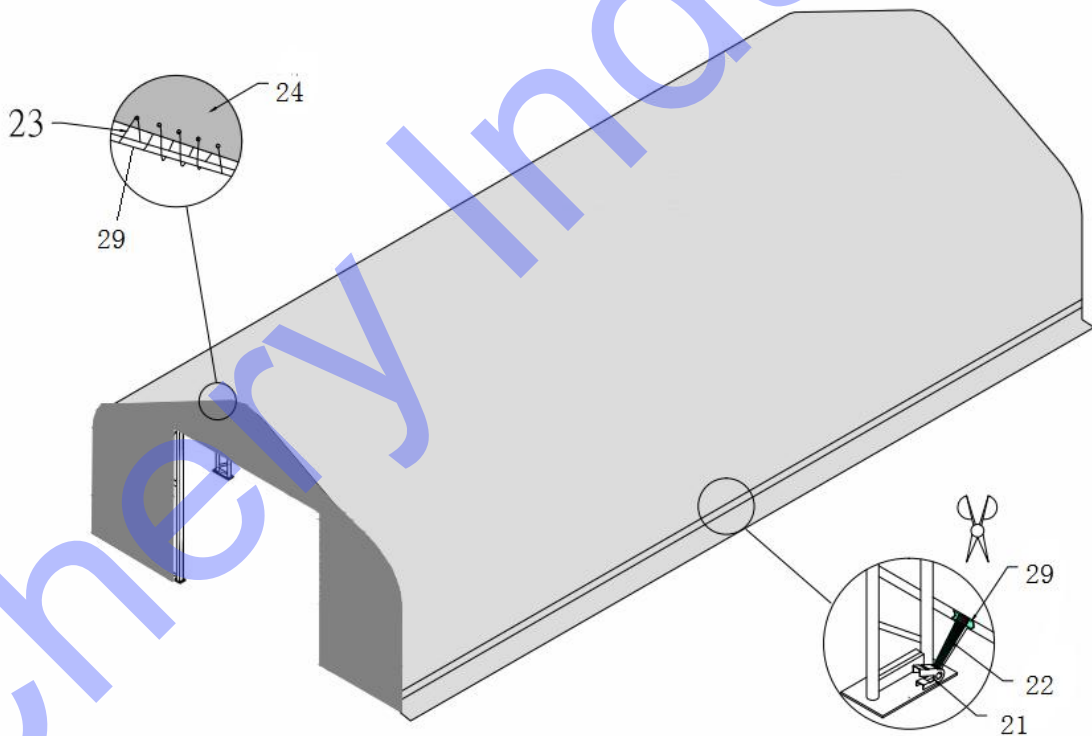


Figure 10

1. When Roof cover is over top of Frame assembly (see Figure 9&10), insert Tensioning tubes (No.14) into pockets along both sides of Roof cover, cut opening for Nylon band for ratchet, find the Nylon band over tube feed end into tie down to ratchet (No.21).
2. The roof cover is tensioned from front to back by the rope lacing to grommet flaps inside the main cover, inside the unit at both front and rear arches. Using the rope provided, lace the main cover grommet flap around the main frame front and rear arch pieces. Start in the top middle of each arch, and lace to each side. Add rope length by tying pieces together or cutting as necessary.

**CONGRATULATIONS: NOW YOUR ASSEMBLY IS COMPLETED.**