

SHELTER

ASSEMBLY MANUAL

(W20H12P SERIES)

Model # 203012P/ W6.1m x L9.15m x H3.66m

Model # 204212P/W6.1m x L12.81m x H3.66m



SPECIFICATION

W20'x L30' x H12'/W20'x L42' x H12'

Width: 6.1m Length: 9.15m/12.81m Height: 3.66m

Door dimension: W4.3m x H3.2m (W14' x H10')

IMPORTANT-----READ MANUAL FIRST

Improper site preparation, Assembly and Maintenance may invalidate warranty and cause unnecessary and costly mistake. If you have any questions contact your local dealer.

For User Friendly assembly we have identified each individual component with the part code as indicated in the parts list. Please refer to the part code numbers and drawing to ensure problem free assembly.

It's necessary to tighten the roof fabric enough to avoid "hammocks" on the roof and also re-tighten once or twice again after a few months of use. This is important when assembly in cold weather (autumn and winter) because the fabric is stiff then and when we got the sun and warm weather afterwards it will make the fabric "slack" again and need to be re-tighten before next winter.

It's the owners responsibility to take of snow immediately if not slide off by itself.

READ ALL INSTRUCTIONS BEFORE ASSEMBLY

1. Keep work area clean. Cluttered areas invite injuries. Do not set up near snow drifts, in slippery places, in high winds, or wet location.
2. Keep children away. All children should be kept away from the work area.
3. Don't over reach. Keep proper footing and balance at all times.
4. Do not assemble in under the influence of alcohol or drugs. Read warning labels on prescriptions to determine if your judgment or reflexes are impaired while taking drugs. If there is any doubt, do not assemble.
5. Be aware of possible windy conditions; fasten the bases in concrete if these conditions are likely to occur. Remove the cover during hurricane.
6. Be careful with power and heat sources. Do not keep heat sources near the tarpaulin. Do not expose to open flame.
7. Be aware of personal safety during assembly and use. Be careful not to pinch fingers with clips and tubes when assembling: when using makes sure there is adequate ventilation for exhaust and other dangerous fumes.

Part List

Part Code	Description	203012P Qty	204212P Qty
1	Roof Bent Tube	6	8
2	Middle Bent Tube	12	16
3	Lower Bent Tube	12	16
4	Roof & Sidewall Purlin	25	35
5	Lower Tension Tube	2 groups	2groups
6	Diagonal Bracing Tube	4	4
6A	Roof Support Tube	6	8
7	Base Plate for corners	4	4
8	Base Plate for Inner sidewall	8	12
8A	Ratchet	12	16
9	Clip for No.6	8	8
10	Stake Peg	36	48
11	Roof Cover	1	1
12	Front & Back Cover	1 each	1 each
13	Bolts M8*60mm	72	72
14	Bolts M10*100mm	30	30
15	Bolts M10x20mm	12	16
16	Knitting Rope for Cover	1 bundle	1 bundle
17	Tension band for No.8A	12	16
18	Plastic Plug	4	4
19	Tension Ball for end cover	62	62

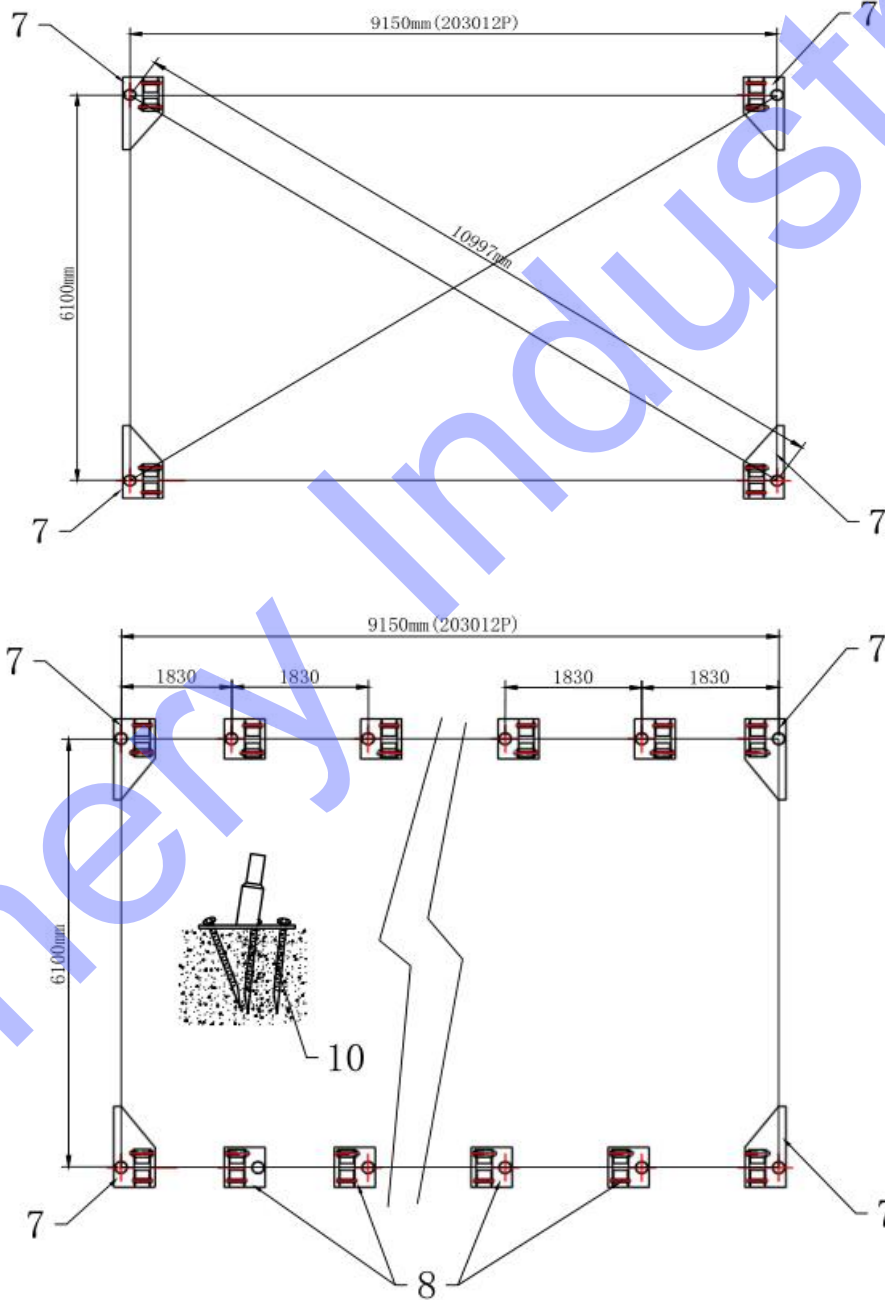
● **EQUIPEMNT AND TOOLS FOR INSTALIATION**

1. Measuring tape
2. String for alignment
3. Step ladder
4. Welder
5. Sledge hammer
6. Wrench
7. Scissors

INSTALLATION PROCESS

A—BASE INSTALLATION

Please refer to the diagram (Figure 1) to place the base plates.



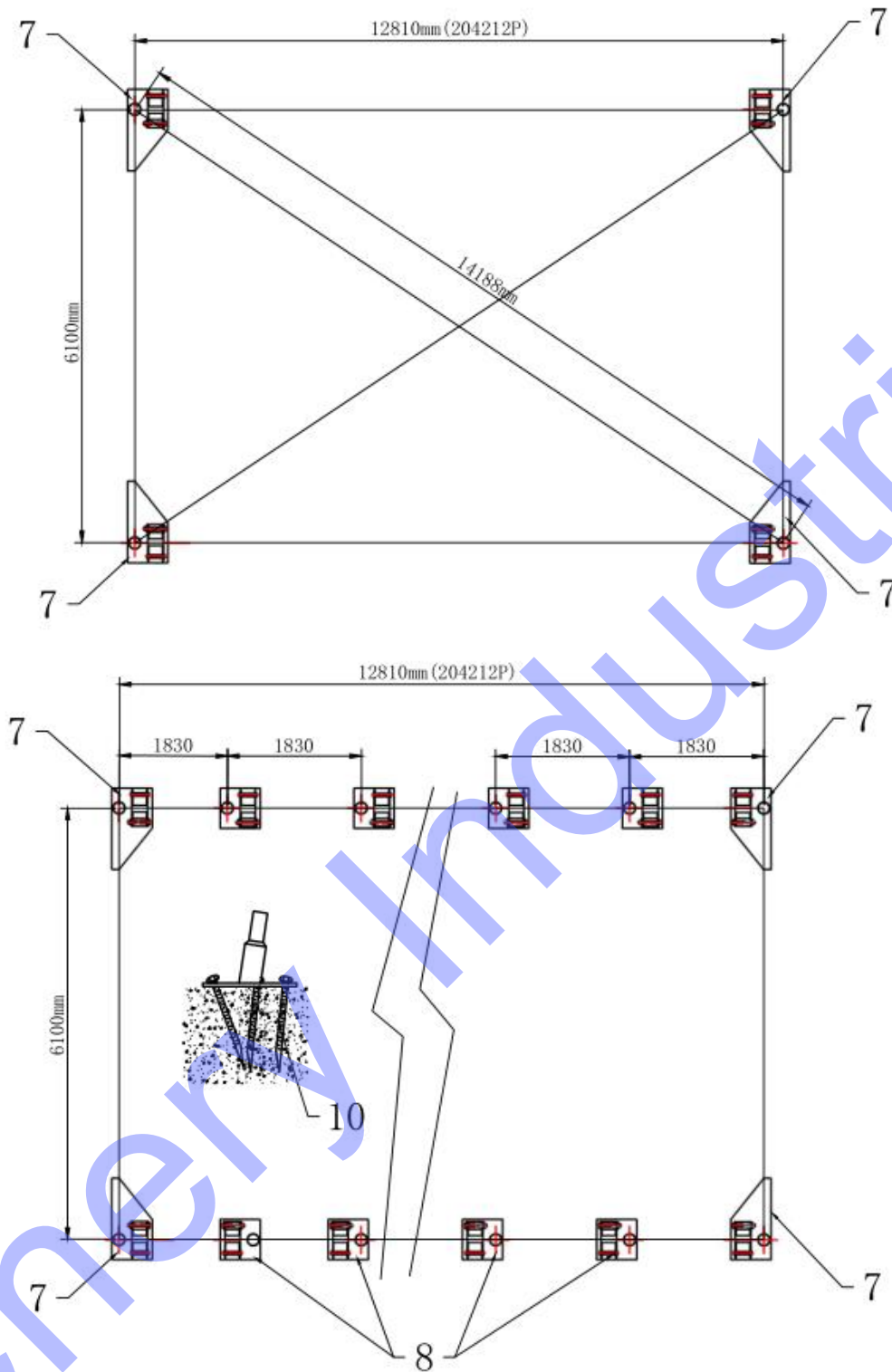


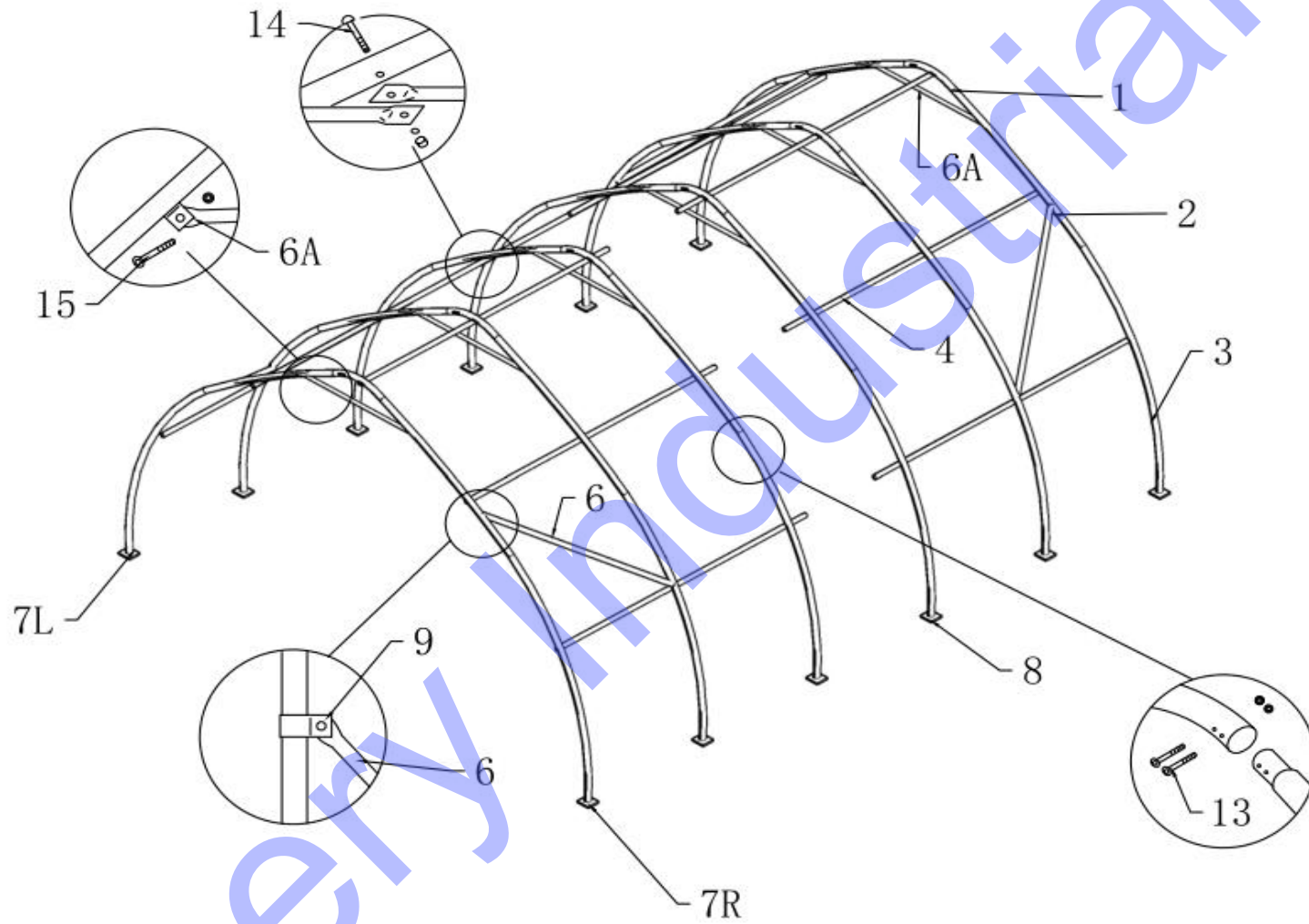
Figure 1

- The measure is from center to center of the tubes. Referring to the above diagram and confirm the place of the base plates. ENSURE THAT THE FOUNDATIONS IS SQUARE.
- There are three holes on the Base Plates for corners (No.7) and Base Plate for inner sidewall (No.8), for Stake Peg (No.10). THUS ALL BASE PLATES ARE SECURED.

Foundation Placement

As **Figure 1** show each Base Plate is equipped with three pieces of Stake Peg (No.10).

Note: The Stake Pegs apply for normal conditions, not suitable to the rock ground, frozen soil and concrete ground.



(W20'x H12' x L30'/42') FRAME SKETCH

Figure 2

B—FRAME INSTALLATION

1. As Figure 3 shown to find one Roof Bent Tube (No.1), two Middle Bent Tubes (No. 2), Lower Bent Tube (No. 3) and assemble every group arch with BoltM8x60 (No.13). DO NOT install the screw on the top of the truss where the fabric will rest.

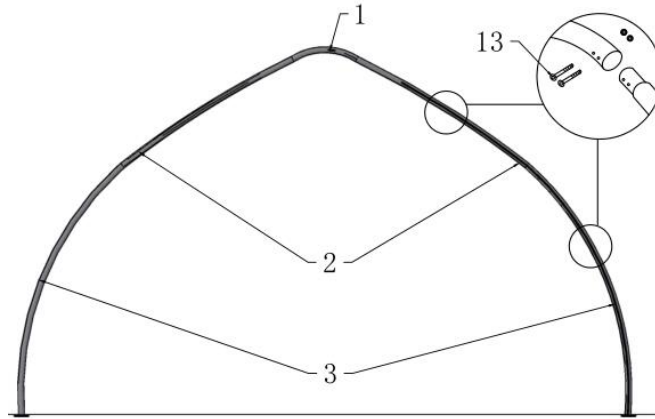


Figure 3

2. As Figure 4 shown to fix Roof Support Tube (No.6A) by using Bolt M10x20mm (No.15).

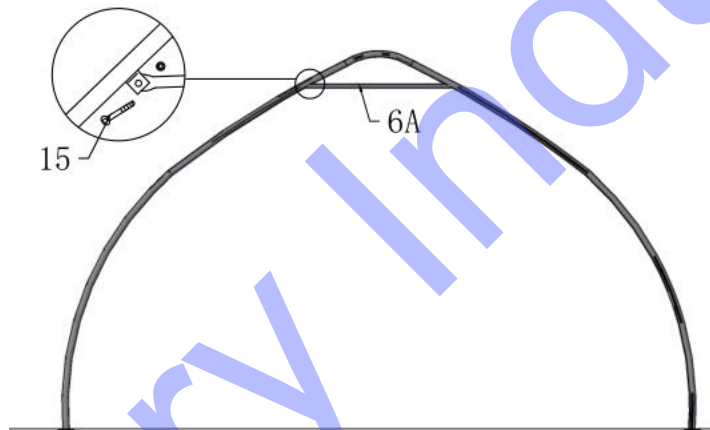


Figure 4

3. Lift an assembled arch onto one base plate and force the other end of the arch onto the opposite base plate.

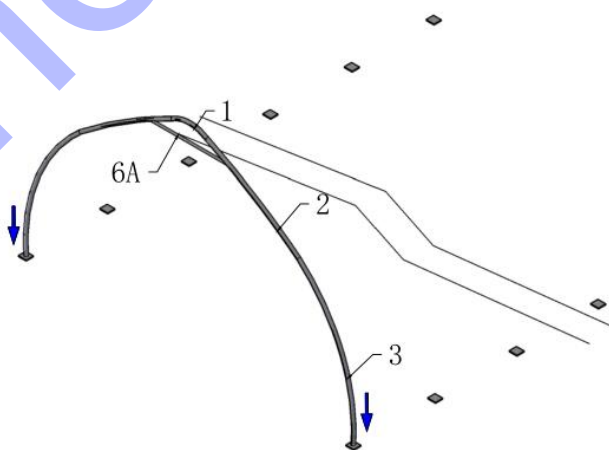


Figure 5

IMPORTANT: THE ARCHED WILL BE WIDER THAN THE BASE PLATES

4. When finish installing the first two arches into the base plates, use Roof & Sidewall Purlin (No.4) to connect them by Screw M10x100 (No.14). Then install the third arch into the third arch into the plate and connect the purlin. In this turn, fix all other arches and other groups of purlin. Then come to install the front panel and back panel. Find the relative components and assemble them.

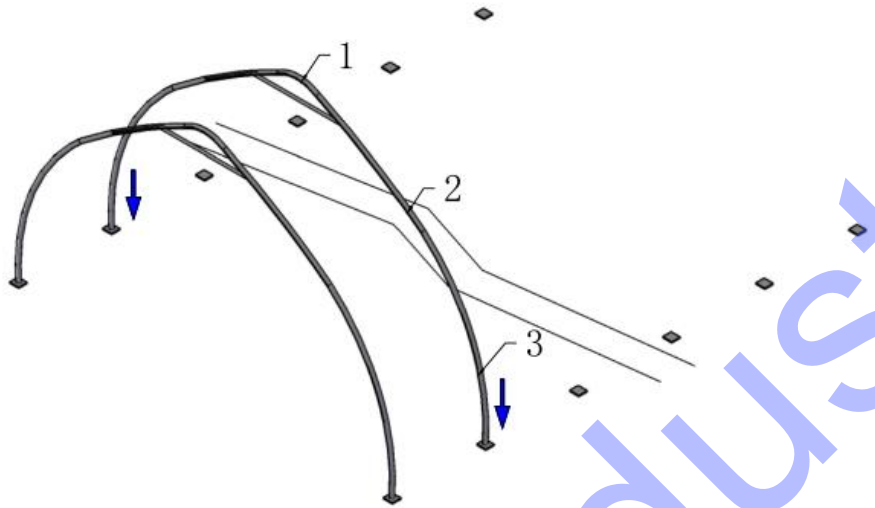


Figure 6

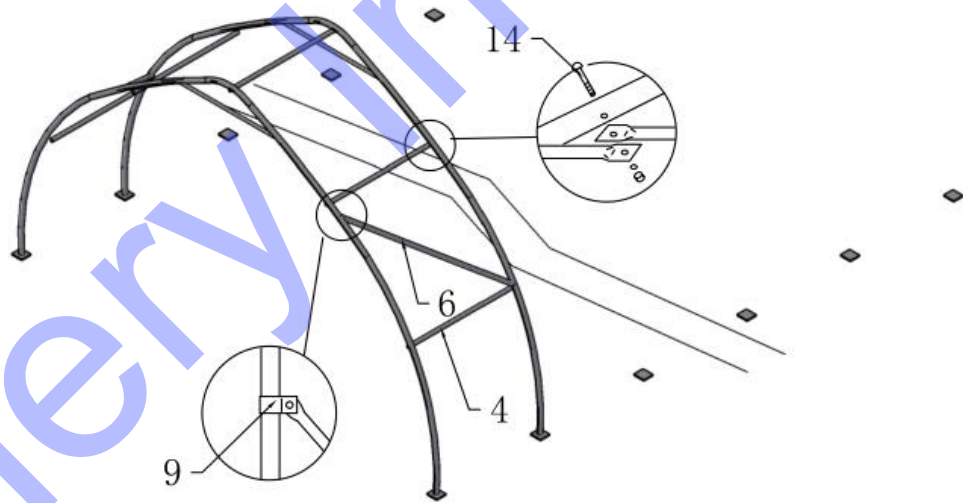


Figure 7

2. Connect the Support Crossbeam for roof cover and Diagonal Bracing Tube (No.6) and clip (No.9) for frame as Figure 7 shown.

C—INSTRUCTION THE FRONT AND BACK COVER

1. Install the front and back door frame as Figure 8.

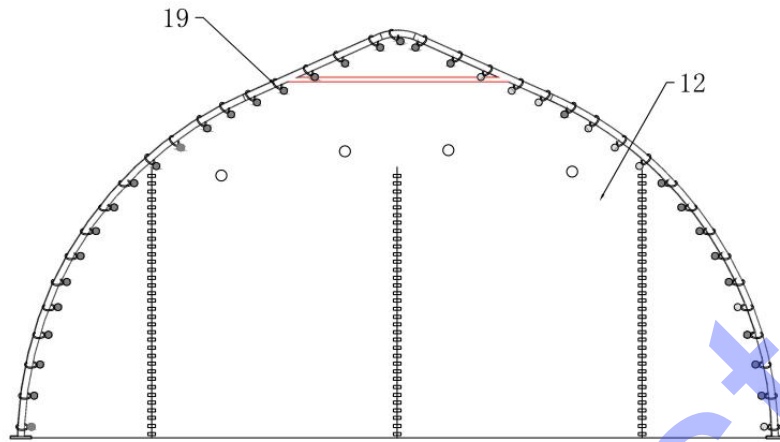


Figure 8

2. Use Tension ball for end cover (No.19) on Front and Back cover (No.12) to lace the grommets in the end to the tension tubes evenly. The end covers are tied to the frame (Roof, Middle & Lower Bent Tube) by Knitting tension ball for end cover. They are also been secured to the end frame (door tube and side rail) by Knitting tension ball for end cover.
3. **Method of Fastening Front and Back Cover**

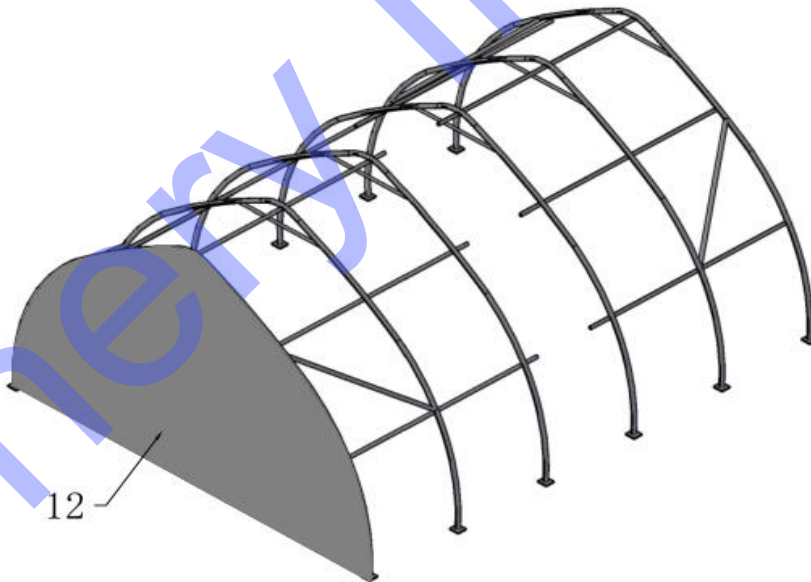


Figure 9

Insert the Lower Tension Tube (No.5) into the bottom of Front and Back cover (No.12).

Put the Nylon Rope to fix it onto the Base Plate for Corners (No.7).

4. Tidy the Back Cover and Front Cover. Fasten the band inside the end of the roof cover, make the cover well fold to the frame and tie the end of the band to the

Clips on Base Plate for four corners.

D—INSTRUCTION THE ROOF COVER

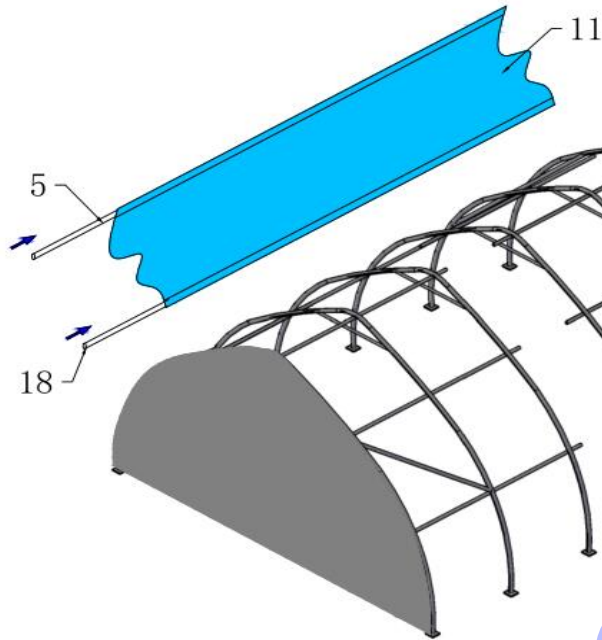


Figure 10

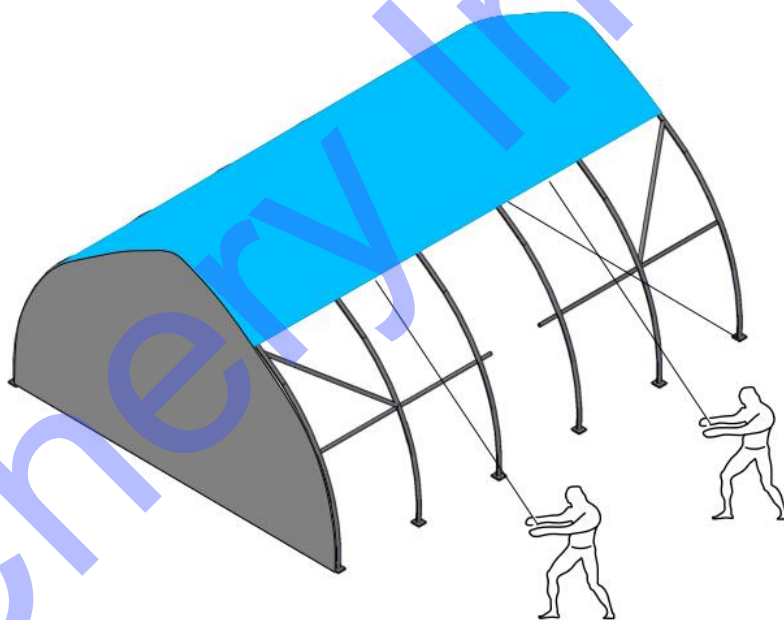


Figure 11

NOTE: DO NOT install the cover onto the frame of your building in high wind conditions. A slight breeze is the most advantageous for cover installation. To take advantage of the breeze, pull the cover up over the arches with breeze blowing in the cover like a sail filled with air.

1. Assemble Tension Tube for Roof Cover (No.11) before installing the cover.
2. Roll out the roof cover on a ground sheet. Align the cover evenly to each end of the frame.

Note: Be sure doing not pull over the end of the roof cover.

3. Pull the cover over the frame EVENLY, CAREFULLY AND SLOWLY. DO NOT TIGHTEN. Adjust the cover so that it is square and evenly centered on the frame. Put the lower tension tube and insert them into the bottom pocket of roof cover.

Note: The end flaps must overhang evenly at both ends.

4. With the end flaps flipped back and out of the way, use the supplied Nylon Band (Part No. 17) to tighten the roof cover to the end arches. The Nylon should be cut as your requirements when using. Fasten the Nylon Band at the bottom edge. Drive the Ratchet Tie Down forth and back and then roof cover is tightened. NOW THE INSTALLATION IS FINISHED.

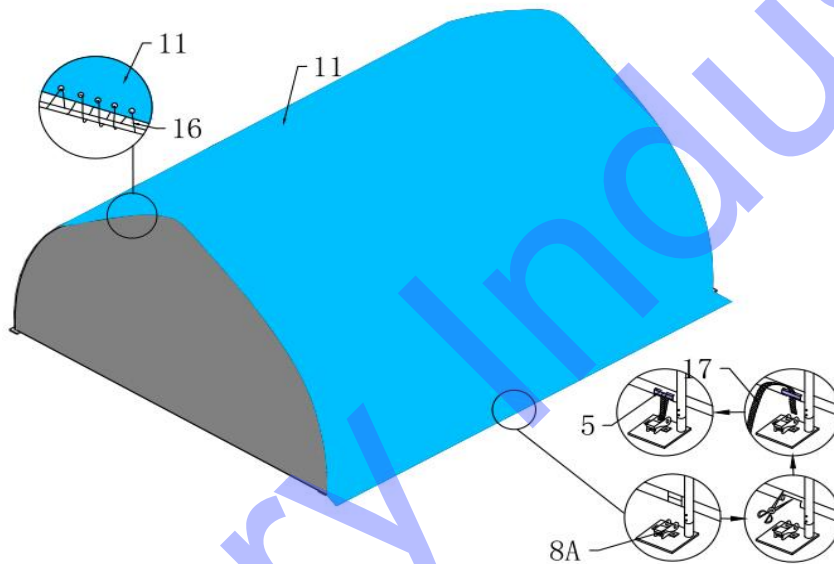


Figure 12

NOW THE INSTALLATION IS FINISHED.

Please check the below installation detailed pictures:



(A)



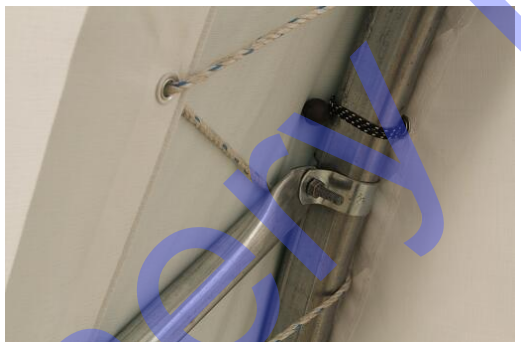
(B)



(C)



(D)



(E)



(F)

NOTE: DO NOT LEAVE THE ROOF COVER UNATTACHED UNDER ANY CIRCUMSTANCES until the final assembly and tightening has been completed. The process is quite easy. But some tightening adjustments will be necessary to produce a flat, tension ed roof cover. Please adjust the roof cover every month.

Please Note:



Please use the tape wrapped around the gap between the steel skeleton after installing.

Chery Industrial